

GigaDevice Semiconductor Inc.

GD32F330xx

ARM[®] Cortex[®]-M4 32-bit MCU

Datasheet

Table of Contents

Table of Contents	1
List of Figures	3
List of Tables	4
1 General description	6
2 Device overview	7
2.1 Device information	7
2.2 Block diagram	8
2.3 Pinouts and pin assignment	9
2.4 Memory map	12
2.5 Clock tree	14
2.6 Pin definitions	15
2.6.1 GD32F330Rx LQFP64 pin definitions	15
2.6.2 GD32F330Cx LQFP48 pin definitions	18
2.6.3 GD32F330Kx QFN32 pin definitions	21
2.6.4 GD32F330Gx QFN28 pin definitions	24
2.6.5 GD32F330Fx TSSOP20 pin definitions	26
2.6.6 GD32F330xx pin alternate functions	29
3 Functional description	33
3.1 ARM® Cortex®-M4 core	33
3.2 On-chip memory	33
3.3 Clock, reset and supply management	34
3.4 Boot modes	34
3.5 Power saving modes	35
3.6 Analog to digital converter (ADC)	35
3.7 DMA	36
3.8 General-purpose inputs/outputs (GPIOs)	36
3.9 Timers and PWM generation	36
3.10 Real time clock (RTC)	37
3.11 Inter-integrated circuit (I2C)	38
3.12 Serial peripheral interface (SPI)	38
3.13 Universal synchronous asynchronous receiver transmitter (USART)	39

3.14	Debug mode	39
3.15	Package and operation temperature.....	39
4	Electrical characteristics.....	40
4.1	Absolute maximum ratings.....	40
4.2	Operating conditions characteristics.....	40
4.3	Power consumption	41
4.4	EMC characteristics	46
4.5	Power supply supervisor characteristics	48
4.6	Electrical sensitivity	48
4.7	External clock characteristics	49
4.8	Internal clock characteristics	51
4.9	PLL characteristics.....	52
4.10	Memory characteristics	53
4.11	NRST pin characteristics	53
4.12	GPIO characteristics	53
4.13	ADC characteristics	55
4.14	Temperature sensor characteristics.....	57
4.15	I2C characteristics	57
4.16	SPI characteristics	57
4.17	USART characteristics.....	58
4.18	TIMER characteristics.....	58
4.19	WDGT characteristics	59
4.20	Parameter conditions.....	59
5	Package information.....	60
5.1	TSSOP package outline dimensions	60
5.2	QFN package outline dimensions	61
5.3	LQFP package outline dimensions	63
6	Ordering information	65
7	Revision history	67

List of Figures

Figure 2-1. GD32F330xx block diagram	8
Figure 2-2. GD32F330Rx LQFP64 pinouts	9
Figure 2-3. GD32F330Cx LQFP48 pinouts	9
Figure 2-4. GD32F330Kx QFN32 pinouts	10
Figure 2-5. GD32F330Gx QFN28 pinouts	10
Figure 2-6. GD32F330Fx TSSOP20 pinouts	11
Figure 2-7. GD32F330xx clock tree	14
Figure 4-1. I/O port AC characteristics definition	55
Figure 5-1. TSSOP package outline	60
Figure 5-2. QFN package outline	61
Figure 5-3. LQFP package outline	63

List of Tables

Table 2-1. GD32F330xx devices features and peripheral list	7
Table 2-2. GD32F330xx memory map	12
Table 2-3. GD32F330Rx LQFP64 pin definitions	15
Table 2-4. GD32F330Cx LQFP48 pin definitions	18
Table 2-5. GD32F330Kx QFP32 pin definitions	21
Table 2-6. GD32F330Gx QFN28 pin definitions	25
Table 2-7. GD32F330Fx TSSOP20 pin definitions	27
Table 2-8. Port A alternate functions summary	29
Table 2-9. Port B alternate functions summary	30
Table 2-10. Port C alternate functions summary	31
Table 2-11. Port D alternate functions summary	31
Table 2-12. Port F alternate functions summary	32
Table 4-1. Absolute maximum ratings ^{(1) (4)}	40
Table 4-2. DC operating conditions	40
Table 4-3. Clock frequency	40
Table 4-4. Operating conditions at Power up/ Power down	41
Table 4-5. Start-up timings of Operating conditions	41
Table 4-6. Power saving mode wakeup timings characteristics ^{(1) (2)}	41
Table 4-7. Power consumption characteristics ^{(1) (2) (3) (4) (5) (6)}	41
Table 4-8. Peripheral current consumption characteristics ⁽¹⁾	46
Table 4-9. EMS characteristics ⁽¹⁾	46
Table 4-10. Power supply supervisor characteristics ⁽¹⁾	48
Table 4-11. ESD characteristics ⁽¹⁾	49
Table 4-12. Static latch-up characteristics ⁽¹⁾	49
Table 4-13. High speed external clock (HXTAL) generated from a crystal/ceramic characteristics ..	49
Table 4-14. High speed external user clock characteristics (HXTAL in bypass mode)	49
Table 4-15. Low speed external clock (LXTAL) generated from a crystal/ceramic characteristics ...	50
Table 4-16. Low speed external user clock characteristics (LXTAL in bypass mode)	50
Table 4-17. High speed internal clock (IRC8M) characteristics	51
Table 4-18. High speed internal clock (IRC28M) characteristics	51
Table 4-19. Low speed internal clock (IRC40K) characteristics	52
Table 4-20. High speed internal clock (IRC48M) characteristics	52
Table 4-21. PLL characteristics	52
Table 4-22. Flash memory characteristics	53
Table 4-23. NRST pin characteristics	53
Table 4-24. I/O port DC characteristics ⁽¹⁾	53
Table 4-25. I/O port AC characteristics ⁽¹⁾⁽²⁾	54
Table 4-26. ADC characteristics	55
Table 4-27. ADC RAIN max for $f_{ADC} = 40 \text{ MHz}$	56
Table 4-28. ADC dynamic accuracy at $f_{ADC} = 28 \text{ MHz}$ ⁽¹⁾	56

Table 4-29. ADC dynamic accuracy at $f_{ADC} = 30 \text{ MHz}^{(1)}$	56
Table 4-30. ADC dynamic accuracy at $f_{ADC} = 36 \text{ MHz}$	56
Table 4-31. ADC static accuracy at $f_{ADC} = 14 \text{ MHz}^{(1)}$	56
Table 4-32. Temperature sensor characteristics ⁽¹⁾	57
Table 4-33. I2C characteristics ⁽¹⁾⁽²⁾⁽³⁾	57
Table 4-34. Standard SPI characteristics ⁽¹⁾	57
Table 4-35. USART characteristics ⁽¹⁾	58
Table 4-36. TIMER characteristics ⁽¹⁾	58
Table 4-37. FWDGT min/max timeout period at 40 kHz (IRC40K) ⁽¹⁾	59
Table 4-38. WWDGT min-max timeout value at 84 MHz (f_{PCLK1}) ⁽¹⁾	59
Table 5-1. TSSOP20 package dimensions	60
Table 5-2. QFN package dimensions	62
Table 5-3. LQFP package dimensions.....	64
Table 6-1. Part ordering code for GD32F330xx devices	65
Table 6-2. Part ordering code for GD32F330xx devices (Cont.)	66
Table 7-1. Revision history	67

1 General description

The GD32F330xx device belongs to the value line of GD32 MCU family. It is a new 32-bit general-purpose microcontroller based on the ARM® Cortex®-M4 RISC core with best cost-performance ratio in terms of enhanced processing capacity, reduced power consumption and peripheral set. The Cortex®-M4 core features implement a full set of DSP instructions to address digital signal control markets that demand an efficient, easy-to-use blend of control and signal processing capabilities. It also provides a powerful trace technology for enhanced application security and advanced debug support.

The GD32F330xx device incorporates the ARM® Cortex®-M4 32-bit processor core operating at 84 MHz frequency with Flash accesses zero wait states to obtain maximum efficiency. It provides up to 128 KB on-chip Flash memory and up to 16 KB SRAM memory. An extensive range of enhanced I/Os and peripherals connected to two APB buses. The devices offer one 12-bit ADC, up to five general 16-bit timers, a general 32-bit timer, a PWM advanced timer, as well as standard and advanced communication interfaces: up to two SPIs, two I2Cs, two USARTs.

The device operates from a 2.6 to 3.6 V power supply and available in –40 to +85 °C temperature range. Several power saving modes provide the flexibility for maximum optimization between wakeup latency and power consumption, an especially important consideration in low power applications.

The above features make the GD32F330xx devices suitable for a wide range of applications, especially in areas such as industrial control, motor drives, user interface, power monitor and alarm systems, consumer and handheld equipment, gaming and GPS, E-bike and so on.



2 Device overview

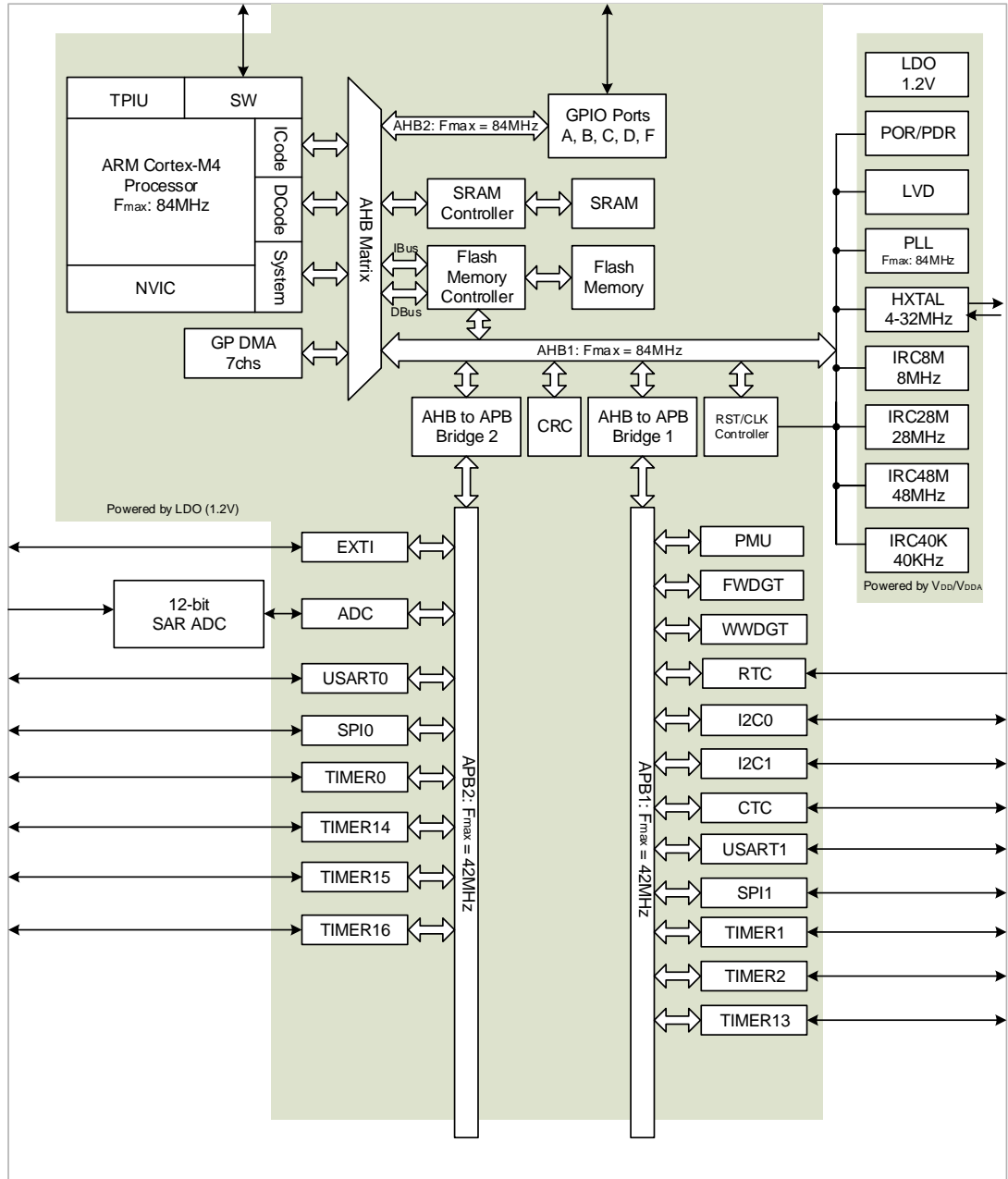
2.1 Device information

Table 2-1. GD32F330xx devices features and peripheral list

Part Number		GD32F330xx														
		F4	F6	F8	G4	G6	G8	K4	K6	K8	C4	C6	C8	CB	R8	RB
Flash	Code area (KB)	16	32	64	16	32	64	16	32	64	16	32	64	64	64	64
	Data area (KB)	0	0	0	0	0	0	0	0	0	0	0	0	64	0	64
	Total (KB)	16	32	64	16	32	64	16	32	64	16	32	64	128	64	128
SRAM (KB)		4	4	8	4	4	8	4	4	8	4	4	8	16	16	16
Timers	General timer (32-bit)	1 <small>(1)</small>	1 <small>(1)</small>	1 <small>(1)</small>	1 <small>(1)</small>	1 <small>(1)</small>	1 <small>(1)</small>	1 <small>(1)</small>	1 <small>(1)</small>	1 <small>(1)</small>	1 <small>(1)</small>	1 <small>(1)</small>	1 <small>(1)</small>	1 <small>(1)</small>	1 <small>(1)</small>	1 <small>(1)</small>
	General timer (16-bit)	4 <small>(2,13,15,16)</small>	4 <small>(2,13,15,16)</small>	4 <small>(2,13,15,16)</small>	4 <small>(2,13,15,16)</small>	4 <small>(2,13,15,16)</small>	5 <small>(2,13-16)</small>	4 <small>(2,13,15,16)</small>	4 <small>(2,13,15,16)</small>	5 <small>(2,13-16)</small>	4 <small>(2,13,15,16)</small>	4 <small>(2,13,15,16)</small>	5 <small>(2,13-16)</small>	5 <small>(2,13-16)</small>	5 <small>(2,13-16)</small>	5 <small>(2,13-16)</small>
	Advanced timer (16-bit)	1 <small>(0)</small>	1 <small>(0)</small>	1 <small>(0)</small>	1 <small>(0)</small>	1 <small>(0)</small>	1 <small>(0)</small>	1 <small>(0)</small>	1 <small>(0)</small>	1 <small>(0)</small>	1 <small>(0)</small>	1 <small>(0)</small>	1 <small>(0)</small>	1 <small>(0)</small>	1 <small>(0)</small>	1 <small>(0)</small>
	SysTick	1	1	1	1	1	1	1	1	1	1	1	1	1	1	1
	Watchdog	2	2	2	2	2	2	2	2	2	2	2	2	2	2	2
	RTC	1	1	1	1	1	1	1	1	1	1	1	1	1	1	1
Connectivity	USART	1 <small>(0)</small>	2 <small>(0-1)</small>	2 <small>(0-1)</small>	1 <small>(0)</small>	2 <small>(0-1)</small>	2 <small>(0-1)</small>	1 <small>(0)</small>	2 <small>(0-1)</small>	2 <small>(0-1)</small>	1 <small>(0)</small>	2 <small>(0-1)</small>	2 <small>(0-1)</small>	2 <small>(0-1)</small>	2 <small>(0-1)</small>	2 <small>(0-1)</small>
	I2C	1 <small>(0)</small>	1 <small>(0)</small>	2 <small>(0-1)</small>	1 <small>(0)</small>	1 <small>(0)</small>	2 <small>(0-1)</small>	1 <small>(0)</small>	1 <small>(0)</small>	2 <small>(0-1)</small>	1 <small>(0)</small>	1 <small>(0)</small>	2 <small>(0-1)</small>	2 <small>(0-1)</small>	2 <small>(0-1)</small>	2 <small>(0-1)</small>
	SPI	1 <small>(0)</small>	1 <small>(0)</small>	2 <small>(0-1)</small>	1 <small>(0)</small>	1 <small>(0)</small>	2 <small>(0-1)</small>	1 <small>(0)</small>	1 <small>(0)</small>	2 <small>(0-1)</small>	1 <small>(0)</small>	1 <small>(0)</small>	2 <small>(0-1)</small>	2 <small>(0-1)</small>	2 <small>(0-1)</small>	2 <small>(0-1)</small>
GPIO		15	15	15	23	23	23	27	27	27	39	39	39	39	55	55
EXTI		16	16	16	16	16	16	16	16	16	16	16	16	16	16	16
ADC	Units	1	1	1	1	1	1	1	1	1	1	1	1	1	1	1
	Channels (External)	9	9	9	10	10	10	10	10	10	10	10	10	10	16	16
	Channels (Internal)	3	3	3	3	3	3	3	3	3	3	3	3	3	3	3
Package		TSSOP20			QFN28			QFN32			LQFP48			LQFP64		

2.2 Block diagram

Figure 2-1. GD32F330xx block diagram



2.3 Pinouts and pin assignment

Figure 2-2. GD32F330Rx LQFP64 pinouts

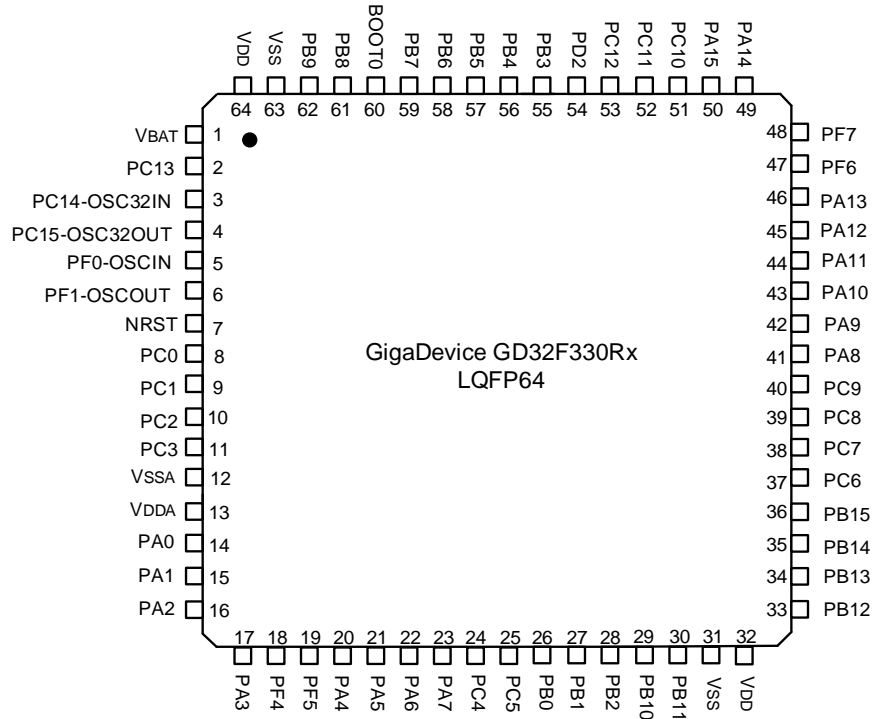


Figure 2-3. GD32F330Cx LQFP48 pinouts

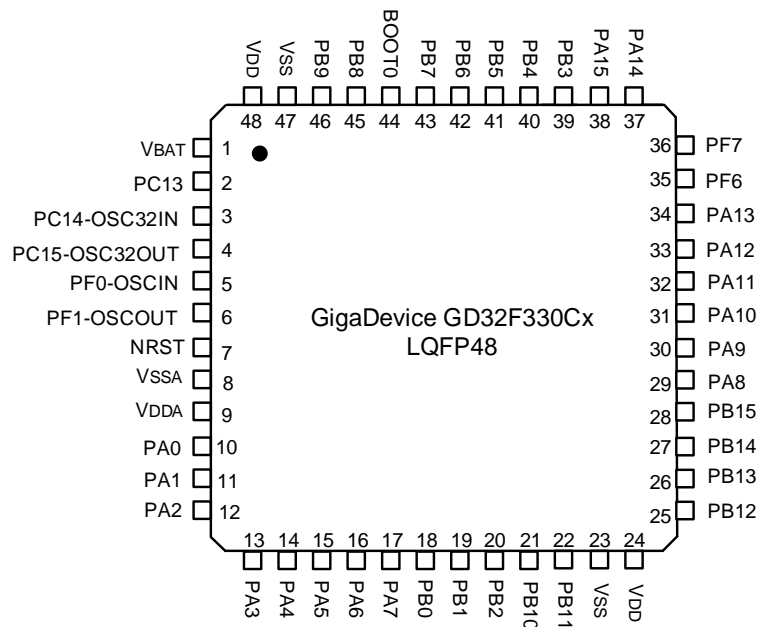


Figure 2-4. GD32F330Kx QFN32 pinouts

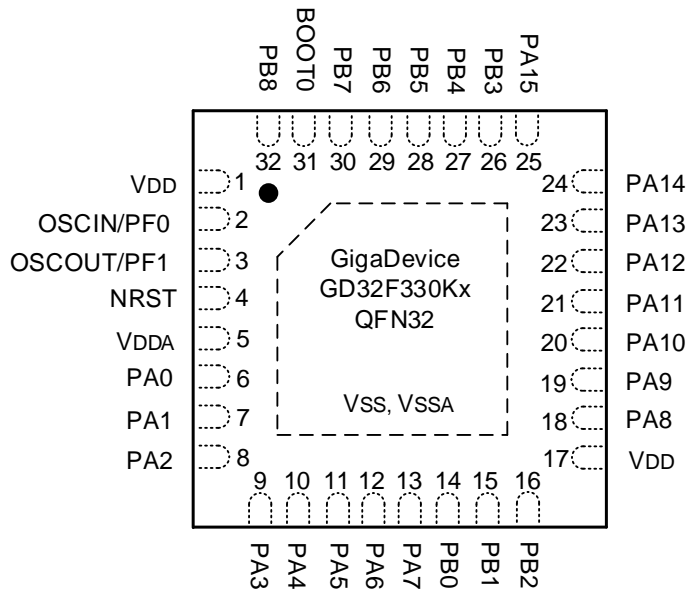


Figure 2-5. GD32F330Gx QFN28 pinouts

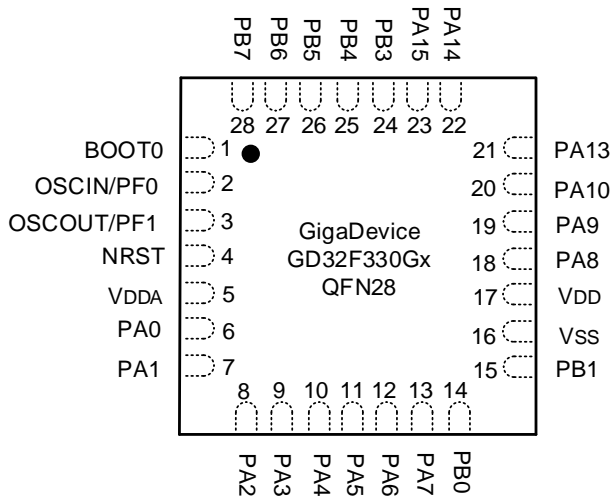
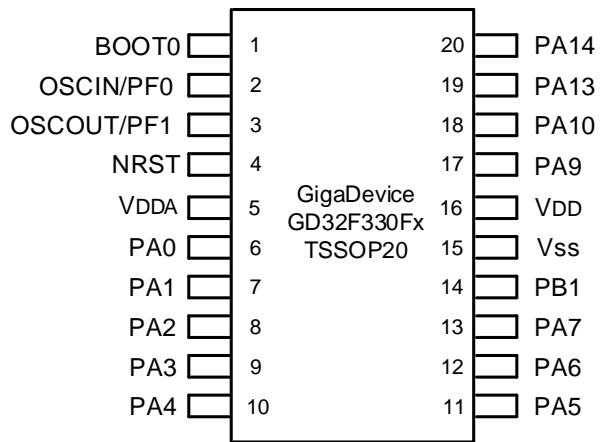


Figure 2-6. GD32F330Fx TSSOP20 pinouts



2.4 Memory map

Table 2-2. GD32F330xx memory map

Pre-defined Regions	Bus	Address	Peripherals
		0xE000 0000 - 0xE00F FFFF	Cortex-M4 internal peripherals
External Device		0xA000 0000 - 0xDFFF FFFF	Reserved
External RAM		0x6000 0000 - 0x9FFF FFFF	Reserved
Peripherals	AHB1	0x5004 0000 - 0x5FFF FFFF	Reserved
		0x5000 0000 - 0x5003 FFFF	Reserved
	AHB2	0x4800 1800 - 0x4FFF FFFF	Reserved
		0x4800 1400 - 0x4800 17FF	GPIOF
		0x4800 1000 - 0x4800 13FF	Reserved
		0x4800 0C00 - 0x4800 0FFF	GIPOD
		0x4800 0800 - 0x4800 0BFF	GPIOC
		0x4800 0400 - 0x4800 07FF	GPIOB
		0x4800 0000 - 0x4800 03FF	GPIOA
	AHB1	0x4002 4400 - 0x47FF FFFF	Reserved
		0x4002 4000 - 0x4002 43FF	Reserved
		0x4002 3400 - 0x4002 3FFF	Reserved
		0x4002 3000 - 0x4002 33FF	CRC
		0x4002 2400 - 0x4002 2FFF	Reserved
		0x4002 2000 - 0x4002 23FF	FMC
		0x4002 1400 - 0x4002 1FFF	Reserved
		0x4002 1000 - 0x4002 13FF	RCU
		0x4002 0400 - 0x4002 0FFF	Reserved
		0x4002 0000 - 0x4002 03FF	DMA
		APB2	0x4001 8000 - 0x4001 FFFF
	0x4001 5C00 - 0x4001 7FFF		Reserved
	0x4001 4C00 - 0x4001 5BFF		Reserved
	0x4001 4800 - 0x4001 4BFF		TIMER16
	0x4001 4400 - 0x4001 47FF		TIMER15
	0x4001 4000 - 0x4001 43FF		TIMER14
	0x4001 3C00 - 0x4001 3FFF		Reserved
	0x4001 3800 - 0x4001 3BFF		USART0
	0x4001 3400 - 0x4001 37FF		Reserved
	0x4001 3000 - 0x4001 33FF		SPI0
	0x4001 2C00 - 0x4001 2FFF		TIMER0
	0x4001 2800 - 0x4001 2BFF		Reserved
	0x4001 2400 - 0x4001 27FF		ADC
0x4001 0800 - 0x4001 23FF	Reserved		
0x4001 0400 - 0x4001 07FF	EXTI		

Pre-defined Regions	Bus	Address	Peripherals
	APB1	0x4001 0000 - 0x4001 03FF	SYSCFG
		0x4000 CC00 - 0x4000 FFFF	Reserved
		0x4000 C800 - 0x4000 CBFF	CTC
		0x4000 C400 - 0x4000 C7FF	Reserved
		0x4000 C000 - 0x4000 C3FF	Reserved
		0x4000 8000 - 0x4000 BFFF	Reserved
		0x4000 7C00 - 0x4000 7FFF	Reserved
		0x4000 7800 - 0x4000 7BFF	Reserved
		0x4000 7400 - 0x4000 77FF	Reserved
		0x4000 7000 - 0x4000 73FF	PMU
		0x4000 6400 - 0x4000 6FFF	Reserved
		0x4000 6000 - 0x4000 63FF	Reserved
		0x4000 5C00 - 0x4000 5FFF	Reserved
		0x4000 5800 - 0x4000 5BFF	I2C1
		0x4000 5400 - 0x4000 57FF	I2C0
		0x4000 4800 - 0x4000 53FF	Reserved
		0x4000 4400 - 0x4000 47FF	USART1
		0x4000 4000 - 0x4000 43FF	Reserved
		0x4000 3C00 - 0x4000 3FFF	Reserved
		0x4000 3800 - 0x4000 3BFF	SPI1
		0x4000 3400 - 0x4000 37FF	Reserved
		0x4000 3000 - 0x4000 33FF	FWDGT
		0x4000 2C00 - 0x4000 2FFF	WWDGT
		0x4000 2800 - 0x4000 2BFF	RTC
		0x4000 2400 - 0x4000 27FF	Reserved
		0x4000 2000 - 0x4000 23FF	TIMER13
		0x4000 1400 - 0x4000 1FFF	Reserved
		0x4000 1000 - 0x4000 13FF	Reserved
		0x4000 0800 - 0x4000 0FFF	Reserved
		0x4000 0400 - 0x4000 07FF	TIMER2
0x4000 0000 - 0x4000 03FF	TIMER1		
SRAM		0x2000 4000 - 0x3FFF FFFF	Reserved
		0x2000 0000 - 0x2000 3FFF	SRAM
Code		0x1FFF FC00 - 0x1FFF FFFF	Reserved
		0x1FFF F800 - 0x1FFF FBFF	Option bytes
		0x1FFF EC00 - 0x1FFF F7FF	System memory
		0x0802 0000 - 0x1FFF EBFF	Reserved
		0x0800 0000 - 0x0801 FFFF	Main Flash memory
		0x0010 0000 - 0x07FF FFFF	Reserved
		0x0000 0000 - 0x000F FFFF	Aliased to Flash or system memory

2.6 Pin definitions

2.6.1 GD32F330Rx LQFP64 pin definitions

Table 2-3. GD32F330Rx LQFP64 pin definitions

Pin Name	Pins	Pin Type ⁽¹⁾	I/O Level ⁽²⁾	Functions description
V _{BAT}	1	P		Default: V _{BAT}
PC13-TAMPER-RTC	2	I/O		Default: PC13 Additional: RTC_TAMP0, RTC_TS, RTC_OUT, WKUP1
PC14-OSC32IN	3	I/O		Default: PC14 Additional: OSC32IN
PC15-OSC32OUT	4	I/O		Default: PC15 Additional: OSC32OUT
PF0-OSCIN	5	I/O	5VT	Default: PF0 Alternate: CTC_SYNC Additional: OSCIN
PF1-OSCOU	6	I/O	5VT	Default: PF1 Additional: OSCOUT
NRST	7	I/O		Default: NRST
PC0	8	I/O		Default: PC0 Alternate: EVENTOUT Additional: ADC_IN10
PC1	9	I/O		Default: PC1 Alternate: EVENTOUT Additional: ADC_IN11
PC2	10	I/O		Default: PC2 Alternate: EVENTOUT Additional: ADC_IN12
PC3	11	I/O		Default: PC3 Alternate: EVENTOUT Additional: ADC_IN13
V _{SSA}	12	P		Default: V _{SSA}
V _{DDA}	13	P		Default: V _{DDA}
PA0-WKUP	14	I/O		Default: PA0 Alternate: USART1_CTS, TIMER1_CH0, TIMER1_ETI, I2C1_SCL Additional: ADC_IN0, RTC_TAMP1, WKUP0
PA1	15	I/O		Default: PA1 Alternate: USART1_RTS, TIMER1_CH1, I2C1_SDA, EVENTOUT Additional: ADC_IN1
PA2	16	I/O		Default: PA2 Alternate: USART1_TX, TIMER1_CH2, TIMER14_CH0

Pin Name	Pins	Pin Type ⁽¹⁾	I/O Level ⁽²⁾	Functions description
				Additional: ADC_IN2
PA3	17	I/O		Default: PA3 Alternate: USART1_RX, TIMER1_CH3, TIMER14_CH1 Additional: ADC_IN3
PF4	18	I/O	5VT	Default: PF4 Alternate: EVENTOUT
PF5	19	I/O	5VT	Default: PF5 Alternate: EVENTOUT
PA4	20	I/O		Default: PA4 Alternate: SPI0_NSS, USART1_CK, TIMER13_CH0, SPI1_NSS Additional: ADC_IN4
PA5	21	I/O		Default: PA5 Alternate: SPI0_SCK, TIMER1_CH0, TIMER1_ETI Additional: ADC_IN5
PA6	22	I/O		Default: PA6 Alternate: SPI0_MISO, TIMER2_CH0, TIMER0_BKIN, TIMER15_CH0, EVENTOUT Additional: ADC_IN6
PA7	23	I/O		Default: PA7 Alternate: SPI0_MOSI, TIMER2_CH1, TIMER13_CH0, TIMER0_CH0_ON, TIMER16_CH0, EVENTOUT Additional: ADC_IN7
PC4	24	I/O		Default: PC4 Alternate: EVENTOUT Additional: ADC_IN14
PC5	25	I/O		Default: PC5 Additional: ADC_IN15, WKUP4
PB0	26	I/O		Default: PB0 Alternate: TIMER2_CH2, TIMER0_CH1_ON, USART1_RX ⁽⁴⁾ , EVENTOUT Additional: ADC_IN8
PB1	27	I/O		Default: PB1 Alternate: TIMER2_CH3, TIMER13_CH0, TIMER0_CH2_ON, SPI1_SCK Additional: ADC_IN9
PB2	28	I/O	5VT	Default: PB2
PB10	29	I/O	5VT	Default: PB10 Alternate: I2C1_SCL, TIMER1_CH2, SPI1_IO2
PB11	30	I/O	5VT	Default: PB11 Alternate: I2C1_SDA, TIMER1_CH3, EVENTOUT, SPI1_IO3
V _{SS}	31	P		Default: V _{SS}
V _{DD}	32	P		Default: V _{DD}
PB12	33	I/O	5VT	Default: PB12

Pin Name	Pins	Pin Type ⁽¹⁾	I/O Level ⁽²⁾	Functions description
				Alternate: SPI1_NSS, TIMER0_BKIN, I2C1_SMBA, EVENTOUT
PB13	34	I/O	5VT	Default: PB13 Alternate: SPI1_SCK, TIMER0_CH0_ON
PB14	35	I/O	5VT	Default: PB14 Alternate: SPI1_MISO, TIMER0_CH1_ON, TIMER14_CH0
PB15	36	I/O	5VT	Default: PB15 Alternate: SPI1_MOSI, TIMER0_CH2_ON, TIMER14_CH0_ON, TIMER14_CH1 Additional: RTC_REFIN, WKUP6
PC6	37	I/O	5VT	Default: PC6 Alternate: TIMER2_CH0
PC7	38	I/O	5VT	Default: PC7 Alternate: TIMER2_CH1
PC8	39	I/O	5VT	Default: PC8 Alternate: TIMER2_CH2
PC9	40	I/O	5VT	Default: PC9 Alternate: TIMER2_CH3
PA8	41	I/O	5VT	Default: PA8 Alternate: USART0_CK, TIMER0_CH0, CK_OUT, USART1_TX, EVENTOUT, CTC_SYNC
PA9	42	I/O	5VT	Default: PA9 Alternate: USART0_TX, TIMER0_CH1, TIMER14_BKIN, I2C0_SCL
PA10	43	I/O	5VT	Default: PA10 Alternate: USART0_RX, TIMER0_CH2, TIMER16_BKIN, I2C0_SDA
PA11	44	I/O	5VT	Default: PA11 Alternate: USART0_CTS, TIMER0_CH3, EVENTOUT, SPI1_IO2
PA12	45	I/O	5VT	Default: PA12 Alternate: USART0_RTS, TIMER0_ETI, EVENTOUT, SPI1_IO3
PA13	46	I/O	5VT	Default: PA13 Alternate: IFRP_OUT, SWDIO, SPI1_MISO
PF6	47	I/O	5VT	Default: PF6 Alternate: I2C1_SCL
PF7	48	I/O	5VT	Default: PF7 Alternate: I2C1_SDA
PA14	49	I/O	5VT	Default: PA14 Alternate: USART1_TX, SWCLK, SPI1_MOSI
PA15	50	I/O	5VT	Default: PA15 Alternate: SPI0_NSS, USART1_RX, TIMER1_CH0, TIMER1_ETI, SPI1_NSS, EVENTOUT

Pin Name	Pins	Pin Type ⁽¹⁾	I/O Level ⁽²⁾	Functions description
PC10	51	I/O	5VT	Default: PC10
PC11	52	I/O	5VT	Default: PC11
PC12	53	I/O	5VT	Default: PC12
PD2	54	I/O	5VT	Default: PD2 Alternate: TIMER2_ETI
PB3	55	I/O	5VT	Default: PB3 Alternate: SPI0_SCK, TIMER1_CH1, EVENTOUT
PB4	56	I/O	5VT	Default: PB4 Alternate: SPI0_MISO, TIMER2_CH0, EVENTOUT
PB5	57	I/O	5VT	Default: PB5 Alternate: SPI0_MOSI, I2C0_SMBA, TIMER15_BKIN, TIMER2_CH1 Additional:WKUP5
PB6	58	I/O	5VT	Default: PB6 Alternate: I2C0_SCL, USART0_TX, TIMER15_CH0_ON
PB7	59	I/O	5VT	Default: PB7 Alternate: I2C0_SDA, USART0_RX, TIMER16_CH0_ON
BOOT0	60	I		Default: BOOT0
PB8	61	I/O	5VT	Default: PB8 Alternate: I2C0_SCL, TIMER15_CH0
PB9	62	I/O	5VT	Default: PB9 Alternate: I2C0_SDA, IFRP_OUT, TIMER16_CH0, EVENTOUT
V _{SS}	63	P		Default: V _{SS}
V _{DD}	64	P		Default: V _{DD}

Notes:

- (1) Type: I = input, O = output, P = power.
- (2) I/O Level: 5VT = 5 V tolerant.
- (3) Functions are available on GD32F330C4 devices only.
- (4) Functions are available on GD32F330CB/8/6 devices.
- (5) Functions are available on GD32F330CB/8 devices.

2.6.2 GD32F330Cx LQFP48 pin definitions

Table 2-4. GD32F330Cx LQFP48 pin definitions

Pin Name	Pins	Pin Type ⁽¹⁾	I/O Level ⁽²⁾	Functions description
V _{BAT}	1	P		Default: V _{BAT}
PC13-TAMPER-RTC	2	I/O		Default: PC13 Additional: RTC_TAMP0, RTC_TS, RTC_OUT, WKUP1
PC14-OSC32IN	3	I/O		Default: PC14 Additional: OSC32IN

Pin Name	Pins	Pin Type ⁽¹⁾	I/O Level ⁽²⁾	Functions description
PC15-OSC32OUT	4	I/O		Default: PC15 Additional: OSC32OUT
PF0-OSCIN	5	I/O	5VT	Default: PF0 Alternate: CTC_SYNC Additional: OSCIN
PF1-OSCOU	6	I/O	5VT	Default: PF1 Additional: OSCOUT
NRST	7	I/O		Default: NRST
V _{SSA}	8	P		Default: V _{SSA}
V _{DDA}	9	P		Default: V _{DDA}
PA0-WKUP	10	I/O		Default: PA0 Alternate: USART0_CTS ⁽³⁾ , USART1_CTS ⁽⁴⁾ , TIMER1_CH0, TIMER1_ETI, I2C1_SCL ⁽⁵⁾ Additional: ADC_IN0, RTC_TAMP1, WKUP0
PA1	11	I/O		Default: PA1 Alternate: USART0_RTS ⁽³⁾ , USART1_RTS ⁽⁴⁾ , TIMER1_CH1, I2C1_SDA ⁽⁵⁾ , EVENTOUT Additional: ADC_IN1
PA2	12	I/O		Default: PA2 Alternate: USART0_TX ⁽³⁾ , USART1_TX ⁽⁴⁾ , TIMER1_CH2, TIMER14_CH0 Additional: ADC_IN2
PA3	13	I/O		Default: PA3 Alternate: USART0_RX ⁽³⁾ , USART1_RX ⁽⁴⁾ , TIMER1_CH3, TIMER14_CH1 Additional: ADC_IN3
PA4	14	I/O		Default: PA4 Alternate: SPI0_NSS, USART0_CK ⁽³⁾ , USART1_CK ⁽⁴⁾ , TIMER13_CH0, SPI1_NSS ⁽⁵⁾ Additional: ADC_IN4
PA5	15	I/O		Default: PA5 Alternate: SPI0_SCK, TIMER1_CH0, TIMER1_ETI Additional: ADC_IN5
PA6	16	I/O		Default: PA6 Alternate: SPI0_MISO, TIMER2_CH0, TIMER0_BKIN, TIMER15_CH0, EVENTOUT Additional: ADC_IN6
PA7	17	I/O		Default: PA7 Alternate: SPI0_MOSI, TIMER2_CH1, TIMER13_CH0, TIMER0_CH0_ON, TIMER16_CH0, EVENTOUT Additional: ADC_IN7
PB0	18	I/O		Default: PB0 Alternate: TIMER2_CH2, TIMER0_CH1_ON, USART1_RX ⁽⁴⁾ , EVENTOUT Additional: ADC_IN8

Pin Name	Pins	Pin Type ⁽¹⁾	I/O Level ⁽²⁾	Functions description
PB1	19	I/O		Default: PB1 Alternate: TIMER2_CH3, TIMER13_CH0, TIMER0_CH2_ON, SPI1_SCK ⁽⁵⁾ Additional: ADC_IN9
PB2	20	I/O	5VT	Default: PB2
PB10	21	I/O	5VT	Default: PB10 Alternate: I2C0_SCL ⁽³⁾ , I2C1_SCL ⁽⁵⁾ , TIMER1_CH2, SPI1_IO2 ⁽⁵⁾
PB11	22	I/O	5VT	Default: PB11 Alternate: I2C0_SDA ⁽³⁾ , I2C1_SDA ⁽⁵⁾ , TIMER1_CH3, EVENTOUT, SPI1_IO3 ⁽⁵⁾
V _{SS}	23	P		Default: V _{SS}
V _{DD}	24	P		Default: V _{DD}
PB12	25	I/O	5VT	Default: PB12 Alternate: SPI0_NSS ⁽³⁾ , SPI1_NSS ⁽⁵⁾ , TIMER0_BKIN, I2C1_SMBA ⁽⁵⁾ , EVENTOUT
PB13	26	I/O	5VT	Default: PB13 Alternate: SPI0_SCK ⁽³⁾ , SPI1_SCK ⁽⁵⁾ , TIMER0_CH0_ON
PB14	27	I/O	5VT	Default: PB14 Alternate: SPI0_MISO ⁽³⁾ , SPI1_MISO ⁽⁵⁾ , TIMER0_CH1_ON, TIMER14_CH0
PB15	28	I/O	5VT	Default: PB15 Alternate: SPI0_MOSI ⁽³⁾ , SPI1_MOSI ⁽⁵⁾ , TIMER0_CH2_ON, TIMER14_CH0_ON, TIMER14_CH1 Additional: RTC_REFIN, WKUP6
PA8	29	I/O	5VT	Default: PA8 Alternate: USART0_CK, TIMER0_CH0, CK_OUT, USART1_TX ⁽⁴⁾ , EVENTOUT, CTC_SYNC
PA9	30	I/O	5VT	Default: PA9 Alternate: USART0_TX, TIMER0_CH1, TIMER14_BKIN , I2C0_SCL
PA10	31	I/O	5VT	Default: PA10 Alternate: USART0_RX, TIMER0_CH2, TIMER16_BKIN, I2C0_SDA
PA11	32	I/O	5VT	Default: PA11 Alternate: USART0_CTS, TIMER0_CH3, EVENTOUT, SPI1_IO2 ⁽⁵⁾
PA12	33	I/O	5VT	Default: PA12 Alternate: USART0_RTS, TIMER0_ETI, EVENTOUT, SPI1_IO3 ⁽⁵⁾
PA13	34	I/O	5VT	Default: PA13 Alternate: IFRP_OUT, SWDIO, SPI1_MISO ⁽⁵⁾
PF6	35	I/O	5VT	Default: PF6 Alternate: I2C0_SCL ⁽³⁾ , I2C1_SCL ⁽⁵⁾
PF7	36	I/O	5VT	Default: PF7

Pin Name	Pins	Pin Type ⁽¹⁾	I/O Level ⁽²⁾	Functions description
				Alternate: I2C0_SDA ⁽³⁾ , I2C1_SDA ⁽⁵⁾
PA14	37	I/O	5VT	Default: PA14 Alternate: USART0_TX ⁽³⁾ , USART1_TX ⁽⁴⁾ , SWCLK, SPI1_MOSI ⁽⁵⁾
PA15	38	I/O	5VT	Default: PA15 Alternate: SPI0_NSS, USART0_RX ⁽³⁾ , USART1_RX ⁽⁴⁾ , TIMER1_CH0, TIMER1_ETI, SPI1_NSS ⁽⁵⁾ , EVENTOUT
PB3	39	I/O	5VT	Default: PB3 Alternate: SPI0_SCK, TIMER1_CH1, EVENTOUT
PB4	40	I/O	5VT	Default: PB4 Alternate: SPI0_MISO, TIMER2_CH0, EVENTOUT
PB5	41	I/O	5VT	Default: PB5 Alternate: SPI0_MOSI, I2C0_SMBA, TIMER15_BKIN, TIMER2_CH1 Additional:WKUP5
PB6	42	I/O	5VT	Default: PB6 Alternate: I2C0_SCL, USART0_TX, TIMER15_CH0_ON
PB7	43	I/O	5VT	Default: PB7 Alternate: I2C0_SDA, USART0_RX, TIMER16_CH0_ON
BOOT0	44	I		Default: BOOT0
PB8	45	I/O	5VT	Default: PB8 Alternate: I2C0_SCL, TIMER15_CH0
PB9	46	I/O	5VT	Default: PB9 Alternate: I2C0_SDA, IFRP_OUT, TIMER16_CH0, EVENTOUT
V _{SS}	47	P		Default: V _{SS}
V _{DD}	48	P		Default: V _{DD}

Notes:

- (1) Type: I = input, O = output, P = power.
- (2) I/O Level: 5VT = 5 V tolerant.
- (3) Functions are available on GD32F330C4 devices only.
- (4) Functions are available on GD32F330CB/8/6 devices.
- (5) Functions are available on GD32F330CB/8 devices.

2.6.3 GD32F330Kx QFN32 pin definitions

Table 2-5. GD32F330Kx QFP32 pin definitions

Pin Name	Pins	Pin Type ⁽¹⁾	I/O Level ⁽²⁾	Functions description
PF0-OSCIN	2	I/O	5VT	Default: PF0 Alternate: CTC_SYNC Additional: OSCIN
PF1-OSCOU	3	I/O	5VT	Default: PF1 Additional: OSCOUT

Pin Name	Pins	Pin Type ⁽¹⁾	I/O Level ⁽²⁾	Functions description
NRST	4	I/O		Default: NRST
V _{DDA}	5	P		Default: V _{DDA}
PA0-WKUP	6	I/O		Default: PA0 Alternate: USART0_CTS ⁽³⁾ , USART1_CTS ⁽⁴⁾ , TIMER1_CH0, TIMER1_ETI, I2C1_SCL ⁽⁵⁾ Additional: ADC_IN0, RTC_TAMP1, WKUP0
PA1	7	I/O		Default: PA1 Alternate: USART0_RTS ⁽³⁾ , USART1_RTS ⁽⁴⁾ , TIMER1_CH1, I2C1_SDA ⁽⁵⁾ , EVENTOUT Additional: ADC_IN1
PA2	8	I/O		Default: PA2 Alternate: USART0_TX ⁽³⁾ , USART1_TX ⁽⁴⁾ , TIMER1_CH2, TIMER14_CH0 Additional: ADC_IN2
PA3	9	I/O		Default: PA3 Alternate: USART0_RX ⁽³⁾ , USART1_RX ⁽⁴⁾ , TIMER1_CH3, TIMER14_CH1 Additional: ADC_IN3
PA4	10	I/O		Default: PA4 Alternate: SPI0_NSS, USART0_CK ⁽³⁾ , USART1_CK ⁽⁴⁾ , TIMER13_CH0, SPI1_NSS ⁽⁵⁾ Additional: ADC_IN4
PA5	11	I/O		Default: PA5 Alternate: SPI0_SCK, TIMER1_CH0, TIMER1_ETI Additional: ADC_IN5
PA6	12	I/O		Default: PA6 Alternate: SPI0_MISO, TIMER2_CH0, TIMER0_BKIN, TIMER15_CH0, EVENTOUT Additional: ADC_IN6
PA7	13	I/O		Default: PA7 Alternate: SPI0_MOSI, TIMER2_CH1, TIMER13_CH0, TIMER0_CH0_ON, TIMER16_CH0, EVENTOUT Additional: ADC_IN7
PB0	14	I/O		Default: PB0 Alternate: TIMER2_CH2, TIMER0_CH1_ON, USART1_RX ⁽⁴⁾ , EVENTOUT Additional: ADC_IN8
PB1	15	I/O		Default: PB1 Alternate: TIMER2_CH3, TIMER13_CH0, TIMER0_CH2_ON, SPI1_SCK ⁽⁵⁾ Additional: ADC_IN9
PB2	16	I/O	5VT	Default: PB2
V _{DD}	17	P		Default: V _{DD}
PA8	18	I/O	5VT	Default: PA8 Alternate: USART0_CK, TIMER0_CH0, CK_OUT, USART1_TX ⁽⁴⁾ , EVENTOUT, CTC_SYNC

Pin Name	Pins	Pin Type ⁽¹⁾	I/O Level ⁽²⁾	Functions description
PA9	19	I/O	5VT	Default: PA9 Alternate: USART0_TX, TIMER0_CH1, TIMER14_BKIN , I2C0_SCL
PA10	20	I/O	5VT	Default: PA10 Alternate: USART0_RX, TIMER0_CH2, TIMER16_BKIN, I2C0_SDA
PA11	21	I/O	5VT	Default: PA11 Alternate: USART0_CTS, TIMER0_CH3, EVENTOUT, SPI1_IO2 ⁽⁵⁾
PA12	22	I/O	5VT	Default: PA12 Alternate: USART0_RTS, TIMER0_ETI, EVENTOUT, SPI1_IO3 ⁽⁵⁾
PA13	23	I/O	5VT	Default: PA13 Alternate: IFRP_OUT, SWDIO, SPI1_MISO ⁽⁵⁾
PA14	24	I/O	5VT	Default: PA14 Alternate: USART0_TX ⁽³⁾ , USART1_TX ⁽⁴⁾ , SWCLK, SPI1_MOSI ⁽⁵⁾
PA15	25	I/O	5VT	Default: PA15 Alternate: SPI0_NSS , USART0_RX ⁽³⁾ , USART1_RX ⁽⁴⁾ , TIMER1_CH0, TIMER1_ETI, SPI1_NSS ⁽⁵⁾ , EVENTOUT
PB3	26	I/O	5VT	Default: PB3 Alternate: SPI0_SCK, TIMER1_CH1, EVENTOUT
PB4	27	I/O	5VT	Default: PB4 Alternate: SPI0_MISO, TIMER2_CH0, EVENTOUT
PB5	28	I/O	5VT	Default: PB5 Alternate: SPI0_MOSI, I2C0_SMBA, TIMER15_BKIN, TIMER2_CH1 Additional:WKUP5
PB6	29	I/O	5VT	Default: PB6 Alternate: I2C0_SCL, USART0_TX, TIMER15_CH0_ON
PB7	30	I/O	5VT	Default: PB7 Alternate: I2C0_SDA, USART0_RX, TIMER16_CH0_ON
BOOT0	31	I		Default: BOOT0
PB8	32	I/O	5VT	Default: PB8 Alternate: I2C0_SCL, TIMER15_CH0
V _{DD}	1	P		Default: V _{DD}

Notes:

- (1) Type: I = input, O = output, P = power.
- (2) I/O Level: 5VT = 5 V tolerant.
- (3) Functions are available on GD32F330K4 devices only.
- (4) Functions are available on GD32F330KB/8/6 devices.
- (5) Functions are available on GD32F330KB/8 devices.

2.6.4 GD32F330Gx QFN28 pin definitions

Table 2-6. GD32F330Gx QFN28 pin definitions

Pin Name	Pins	Pin Type ⁽¹⁾	I/O Level ⁽²⁾	Functions description
PF0-OSCIN	2	I/O	5VT	Default: PF0 Alternate: CTC_SYNC Additional: OSCIN
PF1-OSCOU	3	I/O	5VT	Default: PF1 Additional: OSCOUT
NRST	4	I/O		Default: NRST
V _{DDA}	5	P		Default: V _{DDA}
PA0-WKUP	6	I/O		Default: PA0 Alternate: USART0_CTS ⁽³⁾ , USART1_CTS ⁽⁴⁾ , TIMER1_CH0, TIMER1_ETI, I2C1_SCL ⁽⁵⁾ Additional: ADC_IN0, RTC_TAMP1, WKUP0
PA1	7	I/O		Default: PA1 Alternate: USART0_RTS ⁽³⁾ , USART1_RTS ⁽⁴⁾ , TIMER1_CH1, I2C1_SDA ⁽⁵⁾ , EVENTOUT Additional: ADC_IN1
PA2	8	I/O		Default: PA2 Alternate: USART0_TX ⁽³⁾ , USART1_TX ⁽⁴⁾ , TIMER1_CH2, TIMER14_CH0 Additional: ADC_IN2
PA3	9	I/O		Default: PA3 Alternate: USART0_RX ⁽³⁾ , USART1_RX ⁽⁴⁾ , TIMER1_CH3, TIMER14_CH1 Additional: ADC_IN3
PA4	10	I/O		Default: PA4 Alternate: SPI0_NSS, USART0_CK ⁽³⁾ , USART1_CK ⁽⁴⁾ , TIMER13_CH0, SPI1_NSS ⁽⁵⁾ Additional: ADC_IN4
PA5	11	I/O		Default: PA5 Alternate: SPI0_SCK, TIMER1_CH0, TIMER1_ETI Additional: ADC_IN5
PA6	12	I/O		Default: PA6 Alternate: SPI0_MISO, TIMER2_CH0, TIMER0_BKIN, TIMER15_CH0, EVENTOUT Additional: ADC_IN6
PA7	13	I/O		Default: PA7 Alternate: SPI0_MOSI, TIMER2_CH1, TIMER13_CH0, TIMER0_CH0_ON, TIMER16_CH0, EVENTOUT Additional: ADC_IN7
PB0	14	I/O		Default: PB0 Alternate: TIMER2_CH2, TIMER0_CH1_ON, USART1_RX, EVENTOUT Additional: ADC_IN8
PB1	15	I/O		Default: PB1 Alternate: TIMER2_CH3, TIMER13_CH0, TIMER0_CH2_ON, SPI1_SCK ⁽⁵⁾

Pin Name	Pins	Pin Type ⁽¹⁾	I/O Level ⁽²⁾	Functions description
				Additional: ADC_IN9
V _{SS}	16	P		Default: V _{SS}
V _{DD}	17	P		Default: V _{DD}
PA8	18	I/O	5VT	Default: PA8 Alternate: USART0_CK, TIMER0_CH0, CK_OUT, USART1_TX, EVENTOUT, CTC_SYNC
PA9	19	I/O	5VT	Default: PA9 Alternate: USART0_TX, TIMER0_CH1, TIMER14_BKIN, I2C0_SCL
PA10	20	I/O	5VT	Default: PA10 Alternate: USART0_RX, TIMER0_CH2, TIMER16_BKIN, I2C0_SDA
PA13	21	I/O	5VT	Default: PA13 Alternate: IFRP_OUT, SWDIO, SPI1_MISO ⁽⁵⁾
PA14	22	I/O	5VT	Default: PA14 Alternate: USART0_TX ⁽³⁾ , USART1_TX ⁽⁴⁾ , SWCLK, SPI1_MOSI ⁽⁵⁾
PA15	23	I/O	5VT	Default: PA15 Alternate: SPI0_NSS, USART0_RX ⁽³⁾ , USART1_RX ⁽⁴⁾ , TIMER1_CH0, TIMER1_ETI, SPI1_NSS ⁽⁵⁾ , EVENTOUT
PB3	24	I/O	5VT	Default: PB3 Alternate: SPI0_SCK, TIMER1_CH1, EVENTOUT
PB4	25	I/O	5VT	Default: PB4 Alternate: SPI0_MISO, TIMER2_CH0, EVENTOUT
PB5	26	I/O	5VT	Default: PB5 Alternate: SPI0_MOSI, I2C0_SMBA, TIMER15_BKIN, TIMER2_CH1 Additional: WKUP5
PB6	27	I/O	5VT	Default: PB6 Alternate: I2C0_SCL, USART0_TX, TIMER15_CH0_ON
PB7	28	I/O	5VT	Default: PB7 Alternate: I2C0_SDA, USART0_RX, TIMER16_CH0_ON
BOOT0	1	I		Default: BOOT0

Notes:

- (1) Type: I = input, O = output, P = power.
- (2) I/O Level: 5VT = 5 V tolerant.
- (3) Functions are available on GD32F330G4 devices only.
- (4) Functions are available on GD32F330GB/8/6 devices.
- (5) Functions are available on GD32F330GB/8 devices.

2.6.5 GD32F330Fx TSSOP20 pin definitions

Table 2-7. GD32F330Fx TSSOP20 pin definitions

Pin Name	Pins	Pin Type ⁽¹⁾	I/O Level ⁽²⁾	Functions description
PF0-OSCIN	2	I/O	5VT	Default: PF0 Alternate: CTC_SYNC Additional: OSCIN
PF1-OSCOU	3	I/O	5VT	Default: PF1 Additional: OSCOUT
NRST	4	I/O		Default: NRST
V _{DDA}	5	P		Default: V _{DDA}
PA0-WKUP	6	I/O		Default: PA0 Alternate: USART0_CTS ⁽³⁾ , USART1_CTS ⁽⁴⁾ , TIMER1_CH0, TIMER1_ETI, I2C1_SCL ⁽⁵⁾ Additional: ADC_IN0, RTC_TAMP1, WKUP0
PA1	7	I/O		Default: PA1 Alternate: USART0_RTS ⁽³⁾ , USART1_RTS ⁽⁴⁾ , TIMER1_CH1, I2C1_SDA ⁽⁵⁾ , EVENTOUT Additional: ADC_IN1
PA2	8	I/O		Default: PA2 Alternate: USART0_TX ⁽³⁾ , USART1_TX ⁽⁴⁾ , TIMER1_CH2, TIMER14_CH0 Additional: ADC_IN2
PA3	9	I/O		Default: PA3 Alternate: USART0_RX ⁽³⁾ , USART1_RX ⁽⁴⁾ , TIMER1_CH3, TIMER14_CH1 Additional: ADC_IN3
PA4	10	I/O		Default: PA4 Alternate: SPI0_NSS, USART0_CK ⁽³⁾ , USART1_CK ⁽⁴⁾ , TIMER13_CH0, SPI1_NSS ⁽⁵⁾ Additional: ADC_IN4
PA5	11	I/O		Default: PA5 Alternate: SPI0_SCK, TIMER1_CH0, TIMER1_ETI Additional: ADC_IN5
PA6	12	I/O		Default: PA6 Alternate: SPI0_MISO, TIMER2_CH0, TIMER0_BKIN, TIMER15_CH0, EVENTOUT Additional: ADC_IN6
PA7	13	I/O		Default: PA7 Alternate: SPI0_MOSI, TIMER2_CH1, TIMER13_CH0, TIMER0_CH0_ON, TIMER16_CH0, EVENTOUT Additional: ADC_IN7
PB1	14	I/O		Default: PB1 Alternate: TIMER2_CH3, TIMER13_CH0, TIMER0_CH2_ON, SPI1_SCK ⁽⁵⁾ Additional: ADC_IN9
V _{SS}	15	P		Default: V _{SS}
V _{DD}	16	P		Default: V _{DD}

Pin Name	Pins	Pin Type ⁽¹⁾	I/O Level ⁽²⁾	Functions description
PA9	17	I/O	5VT	Default: PA9 Alternate: USART0_TX, TIMER0_CH1, TIMER14_BKIN , I2C0_SCL
PA10	18	I/O	5VT	Default: PA10 Alternate: USART0_RX, TIMER0_CH2, TIMER16_BKIN, I2C0_SDA
PA13	19	I/O	5VT	Default: PA13 Alternate: IFRP_OUT, SWDIO, SPI1_MISO ⁽⁵⁾
PA14	20	I/O	5VT	Default: PA14 Alternate: USART0_TX ⁽³⁾ , USART1_TX ⁽⁴⁾ , SWCLK, SPI1_MOSI ⁽⁵⁾
BOOT0	1	I		Default: BOOT0

Notes:

- (1) Type: I = input, O = output, P = power.
- (2) I/O Level: 5VT = 5 V tolerant.
- (3) Functions are available on GD32F330F4 devices only.
- (4) Functions are available on GD32F330FB/8/6 devices.
- (5) Functions are available on GD32F330FB/8 devices.

2.6.6 GD32F330xx pin alternate functions

Table 2-8. Port A alternate functions summary

Pin Name	AF0	AF1	AF2	AF3	AF4	AF5	AF6
PA0		USART0_CTS ⁽¹⁾ USART1_CTS ⁽²⁾	TIMER1_CH0 TIMER1_ETI		I2C1_SCL ⁽³⁾		
PA1	EVENTOUT	USART0_RTS ⁽¹⁾ USART1_RTS ⁽²⁾	TIMER1_CH1		I2C1_SDA ⁽³⁾		
PA2	TIMER14_CH 0	USART0_TX ⁽¹⁾ USART1_TX ⁽²⁾	TIMER1_CH2				
PA3	TIMER14_CH 1	USART0_RX ⁽¹⁾ USART1_RX ⁽²⁾	TIMER1_CH3				
PA4	SPI0_NSS	USART0_CK ⁽¹⁾ USART1_CK ⁽²⁾			TIMER13_C H0		SPI1_NSS ⁽³⁾)
PA5	SPI0_SCK		TIMER1_CH0/ TIMER1_ETI				
PA6	SPI0_MISO	TIMER2_CH0	TIMER0_BKIN			TIMER15 _CH0	EVENTOUT
PA7	SPI0_MOSI	TIMER2_CH1	TIMER0_CH0_ ON		TIMER13_C H0	TIMER16 _CH0	EVENTOUT
PA8	CK_OUT	USART0_CK	TIMER0_CH0	EVENTOUT	USART1_TX ⁽²⁾		CTC_SYNC
PA9	TIMER14_BK IN	USART0_TX	TIMER0_CH1		I2C0_SCL		
PA10	TIMER16_BK IN	USART0_RX	TIMER0_CH2		I2C0_SDA		
PA11	EVENTOUT	USART0_CTS	TIMER0_CH3				SPI1_IO2 ⁽³⁾
PA12	EVENTOUT	USART0_RTS	TIMER0_ETI				SPI1_IO3 ⁽³⁾
PA13	SWDIO	IFRP_OUT					SPI1_MISO ⁽³⁾
PA14	SWCLK	USART0_TX ⁽¹⁾ USART1_TX ⁽²⁾					SPI1_MOSI ⁽³⁾
PA15	SPI0_NSS	USART0_RX ⁽¹⁾ USART1_RX ⁽²⁾	TIMER1_CH0/ TIMER1_ETI	EVENTOUT			SPI1_NSS ⁽³⁾)

Table 2-9. Port B alternate functions summary

Pin Name	AF0	AF1	AF2	AF3	AF4	AF5	AF6
PB0	EVENTOUT	TIMER2_CH2	TIMER0_CH1_ON		USART1_RX ⁽²⁾		
PB1	TIMER13_CH0	TIMER2_CH3	TIMER0_CH2_ON				SPI1_SCK ⁽³⁾
PB2							
PB3	SPI0_SCK	EVENTOUT	TIMER1_CH1				
PB4	SPI0_MISO	TIMER2_CH0	EVENTOUT				
PB5	SPI0_MOSI	TIMER2_CH1	TIMER15_BKIN	I2C0_SMBA			
PB6	USART0_TX	I2C0_SCL	TIMER15_CH0_ON				
PB7	USART0_RX	I2C0_SDA	TIMER16_CH0_ON				
PB8		I2C0_SCL	TIMER15_CH0				
PB9	IFRP_OUT	I2C0_SDA	TIMER16_CH0	EVENTOUT			
PB10		I2C0_SCL ⁽¹⁾ , I2C1_SCL ⁽³⁾	TIMER1_CH2				SPI1_IO2 ⁽³⁾
PB11	EVENTOUT	I2C0_SDA ⁽¹⁾ , I2C1_SDA ⁽³⁾	TIMER1_CH3				SPI1_IO3 ⁽³⁾
PB12	SPI0_NSS ⁽¹⁾ SPI1_NSS ⁽³⁾	EVENTOUT	TIMER0_BKIN		I2C1_SMBA ⁽³⁾		
PB13	SPI0_SCK ⁽¹⁾ SPI1_SCK ⁽³⁾		TIMER0_CH0_ON				
PB14	SPI0_MISO ⁽¹⁾ SPI1_MISO ⁽³⁾	TIMER14_CH0	TIMER0_CH1_ON				
PB15	SPI0_MOSI ⁽¹⁾ SPI1_MOSI ⁽³⁾	TIMER14_CH1	TIMER0_CH2_ON	TIMER14_CH0_ON			

Table 2-10. Port C alternate functions summary

Pin Name	AF0	AF1	AF2	AF3	AF4	AF5	AF6
PC0	EVENTOUT						
PC1	EVENTOUT						
PC2	EVENTOUT						
PC3	EVENTOUT						
PC4	EVENTOUT						
PC5							
PC6	TIMER2_CH0						
PC7	TIMER2_CH1						
PC8	TIMER2_CH2						
PC9	TIMER2_CH3						
PC10							
PC11							
PC12							
PC13							
PC14							
PC15							

Table 2-11. Port D alternate functions summary

Pin Name	AF0	AF1	AF2	AF3	AF4	AF5	AF6
PD0							
PD1							
PD2	TIMER2_ETI						
PD3							
PD4							
PD5							
PD6							
PD7							
PD8							
PD9							
PD10							
PD11							
PD12							
PD13							
PD14							
PD15							

Table 2-12. Port F alternate functions summary

Pin Name	AF0	AF1	AF2	AF3	AF4	AF5	AF6
PF0	CTC_SYNC						
PF1							
PF2							
PF3							
PF4	EVENTOUT						
PF5	EVENTOUT						
PF6	I2C0_SCL ⁽¹⁾ I2C1_SCL ⁽³⁾						
PF7	I2C0_SDA ⁽¹⁾ I2C1_SDA ⁽³⁾						
PF8							
PF9							
PF10							
PF11							
PF12							
PF13							
PF14							
PF15							

Notes:

- (1) Functions are available on GD32F330x4 devices only.
- (2) Functions are available on GD32F330xB/8/6 devices.
- (3) Functions are available on GD32F330xB/8 devices.

3 Functional description

3.1 ARM® Cortex®-M4 core

The ARM® Cortex®-M4 processor is a high performance embedded processor with DSP instructions which allow efficient signal processing and complex algorithm execution. It brings an efficient, easy-to-use blend of control and signal processing capabilities to meet the digital signal control markets demand. The processor is highly configurable enabling a wide range of implementations from those requiring memory protection and powerful trace technology to cost sensitive devices requiring minimal area, while delivering outstanding computational performance and an advanced system response to interrupts.

32-bit ARM® Cortex®-M4 processor core

- Up to 84 MHz operation frequency
- Single-cycle multiplication and hardware divider
- Integrated DSP instructions
- Integrated Nested Vectored Interrupt Controller (NVIC)
- 24-bit SysTick timer

The Cortex®-M4 processor is based on the ARMv7-M architecture and supports both Thumb and Thumb-2 instruction sets. Some system peripherals listed below are also provided by Cortex®-M4:

- Internal Bus Matrix connected with ICode bus, DCode bus, system bus, Private Peripheral Bus (PPB) and debug accesses (AHB-AP)
- Nested Vectored Interrupt Controller (NVIC)
- Flash Patch and Breakpoint (FPB)
- Data Watchpoint and Trace (DWT)
- Instrument Trace Macrocell (ITM)
- Serial Wire JTAG Debug Port (SWJ-DP)
- Trace Port Interface Unit (TPIU)

3.2 On-chip memory

- Up to 128 Kbytes of Flash memory
- Up to 16 Kbytes of SRAM with hardware parity checking

The ARM® Cortex®-M4 processor is structured in Harvard architecture which can use separate buses to fetch instructions and load/store data. 128 Kbytes of inner Flash and 16 Kbytes of inner SRAM at most is available for storing programs and data, both accessed (R/W) at CPU clock speed with zero wait states. [Table 2-2. GD32F330xx memory map](#) shows the memory map of the GD32F330xx series of devices, including code, SRAM, peripheral, and other pre-defined regions.

3.3 Clock, reset and supply management

- Internal 8 MHz factory-trimmed RC and external 4 to 32 MHz crystal oscillator
- Internal 48 MHz RC oscillator
- Internal 28 MHz RC oscillator
- Internal 40 KHz RC calibrated oscillator and external 32.768 KHz crystal oscillator
- Integrated system clock PLL
- 2.6 to 3.6 V application supply and I/Os
- Supply Supervisor: POR (Power On Reset), PDR (Power Down Reset), and low voltage detector (LVD)

The Clock Control Unit (CCU) provides a range of oscillator and clock functions. These include speed internal RC oscillator and external crystal oscillator, high speed and low speed two types. Several prescalers allow the frequency configuration of the AHB and two APB domains. The maximum frequency of the AHB, APB2 and APB1 domains is 84 MHz/42 MHz/42 MHz. See [Figure 2-7. GD32F330xx clock tree](#) for details on the clock tree.

The Reset Control Unit (RCU) controls three kinds of reset: system reset resets the processor core and peripheral IP components. Power-on reset (POR) and power-down reset (PDR) are always active, and ensures proper operation starting from 2.6 V and down to 1.8V. The device remains in reset mode when V_{DD} is below a specified threshold. The embedded low voltage detector (LVD) monitors the power supply, compares it to the voltage threshold and generates an interrupt as a warning message for leading the MCU into security.

Power supply schemes:

- V_{DD} range: 2.6 to 3.6 V, external power supply for I/Os and the internal regulator. Provided externally through V_{DD} pins.
- V_{SSA} , V_{DDA} range: 2.6 to 3.6 V, external analog power supplies for ADC, reset blocks, RCs and PLL.
- V_{BAT} range: 1.8 to 3.6 V, power supply for RTC, external clock 32 KHz oscillator and backup registers (through power switch) when V_{DD} is not present.

3.4 Boot modes

At startup, boot pins are used to select one of three boot options:

- Boot from main Flash memory (default)
- Boot from system memory
- Boot from on-chip SRAM

In default condition, boot from main Flash memory is selected. The boot loader is located in the internal boot ROM memory (system memory). It is used to reprogram the Flash memory by using USART0 (PA9 and PA10) or USART1 (PA14 and PA15).

3.5 Power saving modes

The MCU supports three kinds of power saving modes to achieve even lower power consumption. They are sleep mode, deep-sleep mode, and standby mode. These operating modes reduce the power consumption and allow the application to achieve the best balance between the CPU operating time, speed and power consumption.

- **Sleep mode**

In sleep mode, only the clock of CPU core is off. All peripherals continue to operate and any interrupt/event can wake up the system.

- **Deep-sleep mode**

In deep-sleep mode, all clocks in the 1.2V domain are off, and all of the high speed crystal oscillator (IRC8M, HXTAL) and PLL are disabled. Only the contents of SRAM and registers are retained. Any interrupt or wakeup event from EXTI lines can wake up the system from the deep-sleep mode including the 16 external lines, the RTC alarm, RTC tamper and timestamp, LVD output and USART wakeup. When exiting the deep-sleep mode, the IRC8M is selected as the system clock.

- **Standby mode**

In standby mode, the whole 1.2V domain is power off, the LDO is shut down, and all of IRC8M, HXTAL and PLL are disabled. The contents of SRAM and registers (except backup registers) are lost. There are four wakeup sources for the standby mode, including the external reset from NRST pin, the RTC alarm, the FWDGT reset, and the rising edge on WKUP pin.

3.6 Analog to digital converter (ADC)

- 12-bit SAR ADC's conversion rate is up to 2.86 MSPS
- 12-bit, 10-bit, 8-bit or 6-bit configurable resolution
- Hardware oversampling ratio adjustable from 2 to 256x improves resolution to 16-bit
- Input voltage range: V_{SSA} to V_{DDA} (2.6 to 3.6 V)
- Temperature sensor

One 12-bit 2.86 MSPS multi-channel ADCs are integrated in the device. It has a total of 19 multiplexed channels: 16 external channels, 1 channel for internal temperature sensor (V_{SENSE}), 1 channel for internal reference voltage (V_{REFINT}) and 1 channel for battery voltage (V_{BAT}). The input voltage range is between V_{SSA} and V_{DDA} . An on-chip hardware oversampling scheme improves performance while off-loading the related computational burden from the CPU. An analog watchdog block can be used to detect the channels, which are required to remain within a specific threshold window. A configurable channel management block can be used to perform conversions in single, continuous, scan or discontinuous mode to support more advanced use.

The ADC can be triggered from the events generated by the general level 0 timers (TIMERx, x=1,2) and the advanced timer (TIMER0) with internal connection. The temperature

sensor can be used to generate a voltage that varies linearly with temperature. It is internally connected to the ADC_IN16 input channel which is used to convert the sensor output voltage in a digital value.

3.7 DMA

- 7 channel DMA controller
- Peripherals supported: Timers, ADC, SPIs, I2Cs, USARTs

The flexible general-purpose DMA controllers provide a hardware method of transferring data between peripherals and/or memory without intervention from the CPU, thereby freeing up bandwidth for other system functions. Three types of access method are supported: peripheral to memory, memory to peripheral, memory to memory.

Each channel is connected to fixed hardware DMA requests. The priorities of DMA channel requests are determined by software configuration and hardware channel number. Transfer size of source and destination are independent and configurable.

3.8 General-purpose inputs/outputs (GPIOs)

- Up to 55 fast GPIOs, all mappable on 16 external interrupt lines
- Analog input/output configurable
- Alternate function input/output configurable

There are up to 55 general purpose I/O pins (GPIO) in GD32F330xx, named PA0 ~ PA15 and PB0 ~ PB15, PC0 ~ PC15, PD2, PF0, PF1, PF4-PF7 to implement logic input/output functions. Each of the GPIO ports has related control and configuration registers to satisfy the requirements of specific applications. The external interrupts on the GPIO pins of the device have related control and configuration registers in the Interrupt/event controller (EXTI). The GPIO ports are pin-shared with other alternative functions (AFs) to obtain maximum flexibility on the package pins. Each of the GPIO pins can be configured by software as output (push-pull, open-drain or analog), as input (with or without pull-up or pull-down) or as peripheral alternate function. Most of the GPIO pins are shared with digital or analog alternate functions. All GPIOs are high-current capable except for analog inputs.

3.9 Timers and PWM generation

- One 16-bit advanced timer (TIMER0), one 32-bit general timer (TIMER1) and five 16-bit general timers (TIMER2, TIMER13 ~ TIMER16)
- Up to 4 independent channels of PWM, output compare or input capture for each general timer and external trigger input
- 16-bit, motor control PWM advanced timer with programmable dead-time generation for output match

- Encoder interface controller with two inputs using quadrature decoder
- 24-bit SysTick timer down counter
- 2 watchdog timers (Free watchdog timer and window watchdog timer)

The advanced timer (TIMER0) can be used as a three-phase PWM multiplexed on 6 channels. It has complementary PWM outputs with programmable dead-time generation. It can also be used as a complete general timer. The 4 independent channels can be used for input capture, output compare, PWM generation (edge- or center- aligned counting modes) and single pulse mode output. If configured as a general 16-bit timer, it has the same functions as the TIMEx timer. It can be synchronized with external signals or to interconnect with other general timers together which have the same architecture and features.

The general timer can be used for a variety of purposes including general time, input signal pulse width measurement or output waveform generation such as a single pulse generation or PWM output, up to 4 independent channels for input capture/output compare. TIMER1 is based on a 32-bit auto-reload up/downcounter and a 16-bit prescaler. TIMER2 is based on a 16-bit auto-reload up/downcounter and a 16-bit prescaler. TIMER13 ~ TIMER16 is based on a 16-bit auto-reload upcounter and a 16-bit prescaler. The general timer also supports an encoder interface with two inputs using quadrature decoder.

The GD32F330xx have two watchdog peripherals, free watchdog and window watchdog. They offer a combination of high safety level, flexibility of use and timing accuracy.

The free watchdog timer includes a 12-bit down-counting counter and an 8-bit prescaler. It is clocked from an independent 40 KHz internal RC and as it operates independently of the main clock, it can operate in deep-sleep and standby modes. It can be used either as a watchdog to reset the device when a problem occurs, or as a free-running timer for application timeout management.

The window watchdog is based on a 7-bit down counter that can be set as free-running. It can be used as a watchdog to reset the device when a problem occurs. It is clocked from the main clock. It has an early wakeup interrupt capability and the counter can be frozen in debug mode.

The SysTick timer is dedicated for OS, but could also be used as a standard down counter. The features are shown below:

- A 24-bit down counter
- Auto reload capability
- Maskable system interrupt generation when the counter reaches 0
- Programmable clock source

3.10 Real time clock (RTC)

- Independent binary-coded decimal (BCD) format timer/counter with five 32-bit backup registers.
- Calendar with subsecond, seconds, minutes, hours, week day, date, year and month

automatically correction

- Alarm function with wake up from deep-sleep and standby mode capability
- On-the-fly correction for synchronization with master clock. Digital calibration with 0.954 ppm resolution for compensation of quartz crystal inaccuracy.

The real time clock is an independent timer which provides a set of continuously running counters in backup registers to provide a real calendar function, and provides an alarm interrupt or an expected interrupt. It is not reset by a system or power reset, or when the device wakes up from standby mode. In the RTC unit, there are two prescalers used for implementing the calendar and other functions. One prescaler is a 7-bit asynchronous prescaler and the other is a 15-bit synchronous prescaler.

3.11 Inter-integrated circuit (I2C)

- Up to two I2C bus interfaces can support both master and slave mode with a frequency up to 1 MHz (Fast mode plus)
- Provide arbitration function, optional PEC (packet error checking) generation and checking
- Supports 7-bit and 10-bit addressing mode and general call addressing mode

The I2C interface is an internal circuit allowing communication with an external I2C interface which is an industry standard two line serial interface used for connection to external hardware. These two serial lines are known as a serial data line (SDA) and a serial clock line (SCL). The I2C module provides different data transfer rates: up to 100 KHz in standard mode, up to 400 KHz in the fast mode and up to 1 MHz in the fast mode plus. The I2C module also has an arbitration detect function to prevent the situation where more than one master attempts to transmit data to the I2C bus at the same time. A CRC-8 calculator is also provided in I2C interface to perform packet error checking for I2C data.

3.12 Serial peripheral interface (SPI)

- Up to two SPI interfaces with a frequency of up to 21 MHz
- Support both master and slave mode
- Hardware CRC calculation and transmit automatic CRC error checking

The SPI interface uses 4 pins, among which are the serial data input and output lines (MISO & MOSI), the clock line (SCK) and the slave select line (NSS). Both SPIs can be served by the DMA controller. The SPI interface may be used for a variety of purposes, including simplex synchronous transfers on two lines with a possible bidirectional data line or reliable communication using CRC checking.

3.13 Universal synchronous asynchronous receiver transmitter (USART)

- Up to two USARTs with operating frequency up to 5.25 MB/s
- Supports both asynchronous and clocked synchronous serial communication modes
- IrDA SIR encoder and decoder support
- LIN break generation and detection
- ISO 7816-3 compliant smart card interface

The USART (USART0, USART1) are used to translate data between parallel and serial interfaces, provides a flexible full duplex data exchange using synchronous or asynchronous transfer. It is also commonly used for RS-232 standard communication. The USART includes a programmable baud rate generator which is capable of dividing the system clock to produce a dedicated clock for the USART transmitter and receiver. The USART also supports DMA function for high speed data communication.

3.14 Debug mode

- Serial wire JTAG debug port (SWJ-DP)

The ARM® SWJ-DP Interface is embedded and is a combined JTAG and serial wire debug port that enables either a serial wire debug or a JTAG probe to be connected to the target.

3.15 Package and operation temperature

- LQFP64 (GD32F330Rx), LQFP48 (GD32F330Cx), QFN32 (GD32F330Kx), QFN28 (GD32F330Gx) and TSSOP20 (GD32F330Fx)
- Operation temperature range: -40°C to +85°C (industrial level)
- Operation temperature range: -20°C to +85°C (commercial level)

4 Electrical characteristics

4.1 Absolute maximum ratings

The maximum ratings are the limits to which the device can be subjected without permanently damaging the device. Note that the device is not guaranteed to operate properly at the maximum ratings. Exposure to the absolute maximum rating conditions for extended periods may affect device reliability.

Table 4-1. Absolute maximum ratings^{(1) (4)}

Symbol	Parameter	Min	Max	Unit
V_{DD}	External voltage range ⁽²⁾	$V_{SS} - 0.3$	$V_{SS} + 3.6$	V
V_{DDA}	External analog supply voltage	$V_{SSA} - 0.3$	$V_{SSA} + 3.6$	V
V_{BAT}	External battery supply voltage	$V_{SS} - 0.3$	$V_{SS} + 3.6$	V
V_{IN}	Input voltage on 5V tolerant pin ⁽³⁾	$V_{SS} - 0.3$	$V_{DD} + 4.0$	V
	Input voltage on other I/O	$V_{SS} - 0.3$	4.0	V
$ \Delta V_{DDx} $	Variations between different V_{DD} power pins	—	50	mV
$ V_{SSx} - V_{SS} $	Variations between different ground pins	—	50	mV
I_{IO}	Maximum current for GPIO pin	—	± 25	mA
T_A	Operating temperature range	-40	+85	°C
T_{STG}	Storage temperature range	-55	+150	°C
T_J	Maximum junction temperature	—	125	°C

(1). Guaranteed by design, not tested in production.

(2). All main power and ground pins should be connected to an external power source within the allowable range.

(3). V_{IN} maximum value cannot exceed 6.5 V.

(4). It is recommended that V_{DD} and V_{DDA} are powered by the same source. The maximum difference between V_{DD} and V_{DDA} does not exceed 300 mV during power-up and operation.

4.2 Operating conditions characteristics

Table 4-2. DC operating conditions

Symbol	Parameter	Conditions	Min ⁽¹⁾	Typ	Max ⁽¹⁾	Unit
V_{DD}	Supply voltage	—	2.6	3.3	3.6	V
V_{DDA}	Analog supply voltage ADC not used	Same as V_{DD}	2.6	3.3	3.6	V
	Analog supply voltage ADC used		2.4	3.3	3.6	
V_{BAT}	Battery supply voltage		1.8	—	3.6	

(1). Based on characterization, not tested in production.

Table 4-3. Clock frequency

Symbol	Parameter	Conditions	Min	Max	Unit
f_{HCLK1}	AHB1 clock frequency	—	—	84	MHz

Symbol	Parameter	Conditions	Min	Max	Unit
f _{HCLK2}	AHB2 clock frequency	—	—	84	MHz
f _{APB1}	APB1 clock frequency	—	—	42	MHz
f _{APB2}	APB2 clock frequency	—	—	42	MHz

Table 4-4. Operating conditions at Power up/ Power down

Symbol	Parameter	Conditions	Min	Max	Unit
t _{VDD} ⁽¹⁾	V _{DD} rise time rate	—	0	∞	μs /V
	V _{DD} fall time rate		20	∞	

(1). Based on characterization, not tested in production.

Table 4-5. Start-up timings of Operating conditions

Symbol	Parameter	Conditions	Typ	Unit
t _{start-up} ⁽¹⁾⁽²⁾⁽³⁾	Start-up time	Clock source from HXTAL	37	ms
		Clock source from IRC8M	37	

(1). Based on characterization, not tested in production.

(2). After power-up, the start-up time is the time between the rising edge of NRST high and the main function.

(3). PLL is off.

Table 4-6. Power saving mode wakeup timings characteristics^{(1) (2)}

Symbol	Parameter	Typ	Unit
t _{Sleep} ⁽¹⁾	Wakeup from Sleep mode	3.4	us
t _{Deep-sleep} ⁽¹⁾	Wakeup from Deep-sleep mode (LDO On)	5.3	
		Wakeup from Deep-sleep mode (LDO in low power mode)	5.3
t _{Standby} ⁽¹⁾	Wakeup from Standby mode	37.9	ms

(1). Based on characterization, not tested in production.

(2). The wakeup time is measured from the wakeup event to the point at which the application code reads the first instruction under the below conditions: V_{DD} = V_{DDA} = 3.3 V, IRC8M = System clock = 8 MHz.

4.3 Power consumption

The power measurements specified in the tables represent that code with data executing from embedded Flash with the following specifications.

Table 4-7. Power consumption characteristics^{(1) (2) (3) (4) (5) (6)}

Symbol	Parameter	Conditions	Min	Typ	Max	Unit
I _{DD} + I _{DDA}	Supply current (Run mode)	V _{DD} = V _{DDA} = 3.3 V, HXTAL = 8 MHz, System clock = 84 MHz, All peripherals enabled	—	19.86	—	mA
		V _{DD} = V _{DDA} = 3.3 V, HXTAL = 8 MHz, System clock = 84 MHz, All peripherals disabled	—	15.14	—	mA
		V _{DD} = V _{DDA} = 3.3 V, HXTAL = 8 MHz, System clock = 72 MHz, All peripherals enabled	—	17.22	—	mA

Symbol	Parameter	Conditions	Min	Typ	Max	Unit
		$V_{DD} = V_{DDA} = 3.3\text{ V}$, HXTAL = 8 MHz, System clock = 72 MHz, All peripherals disabled	—	13.18	—	mA
		$V_{DD} = V_{DDA} = 3.3\text{ V}$, HXTAL = 8 MHz, System clock = 48 MHz, All peripherals enabled	—	11.99	—	mA
		$V_{DD} = V_{DDA} = 3.3\text{ V}$, HXTAL = 8 MHz, System clock = 48 MHz, All peripherals disabled	—	9.30	—	mA
		$V_{DD} = V_{DDA} = 3.3\text{ V}$, HXTAL = 8 MHz, System clock = 36 MHz, All peripherals enabled	—	9.36	—	mA
		$V_{DD} = V_{DDA} = 3.3\text{ V}$, HXTAL = 8 MHz, System clock = 36 MHz, All peripherals disabled	—	7.36	—	mA
		$V_{DD} = V_{DDA} = 3.3\text{ V}$, HXTAL = 8 MHz, System clock = 24 MHz, All peripherals enabled	—	6.72	—	mA
		$V_{DD} = V_{DDA} = 3.3\text{ V}$, HXTAL = 8 MHz, System clock = 24 MHz, All peripherals disabled	—	5.38	—	mA
		$V_{DD} = V_{DDA} = 3.3\text{ V}$, HXTAL = 8 MHz, System clock = 16 MHz, All peripherals enabled	—	4.96	—	mA
		$V_{DD} = V_{DDA} = 3.3\text{ V}$, HXTAL = 8 MHz, System clock = 16 MHz, All peripherals disabled	—	4.06	—	mA
		$V_{DD} = V_{DDA} = 3.3\text{ V}$, HXTAL = 8 MHz, System clock = 8 MHz, All peripherals enabled	—	3.22	—	mA
		$V_{DD} = V_{DDA} = 3.3\text{ V}$, HXTAL = 8 MHz, System clock = 8 MHz, All peripherals disabled	—	2.78	—	mA
		$V_{DD} = V_{DDA} = 3.3\text{ V}$, HXTAL = 4 MHz, System clock = 4 MHz, All peripherals enabled	—	0.94	—	mA
		$V_{DD} = V_{DDA} = 3.3\text{ V}$, HXTAL = 4 MHz, System clock = 4 MHz, All peripherals disabled	—	0.75	—	mA
		$V_{DD} = V_{DDA} = 3.3\text{ V}$, HXTAL = 2 MHz, System clock = 2 MHz, All peripherals enabled	—	0.56	—	mA

Symbol	Parameter	Conditions	Min	Typ	Max	Unit
		V _{DD} = V _{DDA} = 3.3 V, HXTAL = 2 MHz, System clock = 2 MHz, All peripherals disabled	—	0.48	—	mA
	Supply current (Sleep mode)	V _{DD} = V _{DDA} = 3.3 V, HXTAL = 8 MHz, CPU clock off, System clock = 84 MHz, All peripherals enabled	—	10.60	—	mA
		V _{DD} = V _{DDA} = 3.3 V, HXTAL = 8 MHz, CPU clock off, System clock = 84 MHz, All peripherals disabled	—	5.24	—	mA
		V _{DD} = V _{DDA} = 3.3 V, HXTAL = 8 MHz, CPU clock off, System clock = 72 MHz, All peripherals enabled	—	9.28	—	mA
		V _{DD} = V _{DDA} = 3.3 V, HXTAL = 8 MHz, CPU clock off, System clock = 72 MHz, All peripherals disabled	—	4.68	—	mA
		V _{DD} = V _{DDA} = 3.3 V, HXTAL = 8 MHz, CPU clock off, System clock = 48 MHz, All peripherals enabled	—	6.70	—	mA
		V _{DD} = V _{DDA} = 3.3 V, HXTAL = 8 MHz, CPU clock off, System clock = 48 MHz, All peripherals disabled	—	3.62	—	mA
		V _{DD} = V _{DDA} = 3.3 V, HXTAL = 8 MHz, CPU clock off, System clock = 36 MHz, All peripherals enabled	—	5.36	—	mA
		V _{DD} = V _{DDA} = 3.3 V, HXTAL = 8 MHz, CPU clock off, System clock = 36 MHz, All peripherals disabled	—	3.08	—	mA
		V _{DD} = V _{DDA} = 3.3 V, HXTAL = 8 MHz, CPU clock off, System clock = 24 MHz, All peripherals enabled	—	4.06	—	mA
		V _{DD} = V _{DDA} = 3.3 V, HXTAL = 8 MHz, CPU clock off, System clock = 24 MHz, All peripherals disabled	—	2.52	—	mA
		V _{DD} = V _{DDA} = 3.3 V, HXTAL = 8 MHz, CPU clock off, System clock = 16 MHz, All peripherals enabled	—	3.20	—	mA
		V _{DD} = V _{DDA} = 3.3 V, HXTAL = 8 MHz, CPU clock off, System clock = 16 MHz, All peripherals disabled	—	2.18	—	mA
		V _{DD} = V _{DDA} = 3.3 V, HXTAL = 8 MHz, CPU clock off, System clock = 8 MHz, All peripherals enabled	—	2.32	—	mA

Symbol	Parameter	Conditions	Min	Typ	Max	Unit	
		VDD = VDDA = 3.3 V, HXTAL = 8 MHz, CPU clock off, System clock = 8 MHz, All peripherals disabled	—	1.84	—	mA	
		VDD = VDDA = 3.3 V, HXTAL = 4 MHz, CPU clock off, System clock = 4 MHz, All peripherals enabled	—	0.56	—	mA	
		VDD = VDDA = 3.3 V, HXTAL = 4 MHz, CPU clock off, System clock = 4 MHz, All peripherals disabled	—	0.36	—	mA	
		VDD = VDDA = 3.3 V, HXTAL = 2 MHz, CPU clock off, System clock = 2 MHz, All peripherals enabled	—	0.37	—	mA	
		VDD = VDDA = 3.3 V, HXTAL = 2 MHz, CPU clock off, System clock = 2 MHz, All peripherals disabled	—	0.27	—	mA	
	Supply current (Deep-sleep mode)	VDD = VDDA = 3.3 V, LDO in run mode, IRC40K off, RTC off, All GPIOs analog mode	—	117.06	330	μA	
		VDD = VDDA = 3.3 V, LDO in low power mode, IRC40K off, RTC off, All GPIOs analog mode	—	91.98	330	μA	
		VDD = VDDA = 3.3 V, Main LDO in under drive mode, IRC40K off, RTC off, All GPIOs analog mode	—	110.78	330	μA	
		VDD = VDDA = 3.3 V, Low Power LDO in under drive mode, IRC40K off, RTC off, All GPIOs analog mode	—	85.92	330	μA	
	Supply current (Standby mode)	VDD = VDDA = 3.3 V, LXTAL off, IRC40K on, RTC on	—	7.83	12.1	μA	
		VDD = VDDA = 3.3 V, LXTAL off, IRC40K on, RTC off	—	7.54	12.1	μA	
		VDD = VDDA = 3.3 V, LXTAL off, IRC40K off, RTC off, VDDA Monitor on	—	6.85	12.1	μA	
		VDD = VDDA = 3.3 V, LXTAL off, IRC40K off, RTC off, VDDA Monitor off	—	4.46	12.1	μA	
	I _{BAT}	Battery supply current	VDD off, VDDA off, V _{BAT} = 3.6 V, LXTAL on with external crystal, RTC on, LXTAL High driving	—	1.74	—	μA
			VDD off, VDDA off, V _{BAT} = 3.3 V, LXTAL on with external crystal, RTC on, LXTAL High driving	—	1.59	—	μA
VDD off, VDDA off, V _{BAT} = 2.6 V, LXTAL on with external crystal, RTC on, LXTAL High driving			—	1.38	—	μA	

Symbol	Parameter	Conditions	Min	Typ	Max	Unit
		driving				
		V _{DD} off, V _{DDA} off, V _{BAT} = 3.6 V, LXTAL on with external crystal, RTC on, LXTAL Medium High driving	—	1.44	—	μA
		V _{DD} off, V _{DDA} off, V _{BAT} = 3.3 V, LXTAL on with external crystal, RTC on, LXTAL Medium High driving	—	1.29	—	μA
		V _{DD} off, V _{DDA} off, V _{BAT} = 2.6 V, LXTAL on with external crystal, RTC on, LXTAL Medium High driving	—	1.09	—	μA
		V _{DD} off, V _{DDA} off, V _{BAT} = 3.6 V, LXTAL on with external crystal, RTC on, LXTAL Medium Low driving	—	1.15	—	μA
		V _{DD} off, V _{DDA} off, V _{BAT} = 3.3 V, LXTAL on with external crystal, RTC on, LXTAL Medium Low driving	—	1.00	—	μA
		V _{DD} off, V _{DDA} off, V _{BAT} = 2.6 V, LXTAL on with external crystal, RTC on, LXTAL Medium Low driving	—	0.80	—	μA
		V _{DD} off, V _{DDA} off, V _{BAT} = 3.6 V, LXTAL on with external crystal, RTC on, LXTAL Low driving	—	1.07	—	μA
		V _{DD} off, V _{DDA} off, V _{BAT} = 3.3 V, LXTAL on with external crystal, RTC on, LXTAL Low driving	—	0.92	—	μA
		V _{DD} off, V _{DDA} off, V _{BAT} = 2.6 V, LXTAL on with external crystal, RTC on, LXTAL Low driving	—	0.72	—	μA

(1). Based on characterization, not tested in production.

(2). Unless otherwise specified, all values given for T_A = 25 °C and test result is mean value.

(3). When System clock is less than 4 MHz, an external source is used, and the HXTAL bypass function is needed, no PLL.

(4). When System clock is greater than 8 MHz, a crystal 8 MHz is used, and the HXTAL bypass function is closed, using PLL.

(5). When analog peripheral blocks such as ADCs, HXTAL, LXTAL, IRC8M, or IRC40K are ON, an additional power consumption should be considered.

(6). The power measurements specified in the tables represent that code with data executing from on-chip Flash with the following specifications.

Table 4-8. Peripheral current consumption characteristics⁽¹⁾

Peripherals ⁽³⁾		Typical consumption at 25°C (TYP) ⁽¹⁾	Unit
AHB1	CRC	0.66	mA
	DMA	1.01	
AHB2	GPIOF	0.66	
	GPIOD	0.66	
	GPIOC	0.71	
	GPIOB	0.71	
	GPIOA	0.71	
APB2	TIMER16	0.76	
	TIMER15	0.77	
	TIMER14	0.86	
	USART0	0.84	
	TIMER0	1.15	
	SPI0	0.70	
	ADC	1.42	
APB1	PMU	0.95	
	I2C1	0.70	
	I2C0	0.73	
	USART1	0.68	
	SPI1	0.63	
	WWDGT	0.59	
	TIMER13	0.65	
	TIMER5	0.62	
	TIMER2	0.93	
TIMER1	1.01		

(1). Based on characterization, not tested in production.

(2). System clock = $f_{HCLK} = 84 \text{ MHz}$, $f_{APB1} = f_{HCLK}/2$, $f_{APB2} = f_{HCLK}$, $f_{ADCCCLK} = f_{APB2}/2$, ADCON bit is set to 1.

(3). If there is no other description, then HXTAL = 8 MHz, System clock = $f_{HCLK} = 84 \text{ MHz}$, $f_{APB1} = f_{HCLK}/2$, $f_{APB2} = f_{HCLK}$.

4.4 EMC characteristics

EMS (electromagnetic susceptibility) includes ESD (Electrostatic discharge, positive and negative) and FTB (Burst of Fast Transient voltage, positive and negative) testing result is given in [Table 4-9. EMS characteristics](#), based on the EMS levels and classes compliant with IEC 61000 series standard.

Table 4-9. EMS characteristics⁽¹⁾

Symbol	Parameter	Conditions	Level/Class
V_{ESD}	Voltage applied to all device pins to induce a functional disturbance	$V_{DD} = 3.3 \text{ V}$, $T_A = +25 \text{ °C}$, LQFP64, $f_{HCLK} = 108 \text{ MHz}$	3A

Symbol	Parameter	Conditions	Level/Class
		conforms to IEC 61000-4-2	
V _{FTB}	Fast transient voltage burst applied to induce a functional disturbance through 100 pF on V _{DD} and V _{SS} pins	V _{DD} = 3.3 V, T _A = +25 °C, LQFP64, f _{HCLK} = 108 MHz conforms to IEC 61000-4-4	3A

(1). Measurements were made performed on a similar LQFP64 device GD32F350RxT6.

4.5 Power supply supervisor characteristics

Table 4-10. Power supply supervisor characteristics⁽¹⁾

Symbol	Parameter	Conditions	Min	Typ	Max	Unit
V _{LVD}	Low Voltage Detector Threshold	LVDT[2:0] = 000, rising edge	3.03	3.11	3.19	V
		LVDT[2:0] = 000, falling edge	2.94	3.01	3.07	V
		LVDT[2:0] = 001, rising edge	2.90	2.97	3.04	V
		LVDT[2:0] = 001, falling edge	2.80	2.87	2.93	V
		LVDT[2:0] = 010, rising edge	2.76	2.83	2.9	V
		LVDT[2:0] = 010, falling edge	2.66	2.73	2.79	V
		LVDT[2:0] = 011, rising edge	2.63	2.69	2.76	V
		LVDT[2:0] = 011, falling edge	2.53	2.59	2.66	V
		LVDT[2:0] = 100, rising edge	2.49	2.55	2.62	V
		LVDT[2:0] = 100, falling edge	2.39	2.45	2.52	V
		LVDT[2:0] = 101, rising edge	2.36	2.42	2.47	V
		LVDT[2:0] = 101, falling edge	2.26	2.32	2.37	V
		LVDT[2:0] = 110, rising edge	2.22	2.28	2.33	V
		LVDT[2:0] = 110, falling edge	2.13	2.17	2.22	V
		LVDT[2:0] = 111, rising edge	2.08	2.14	2.19	V
LVDT[2:0] = 111, falling edge	1.99	2.03	2.08	V		
V _{LVDhyst} ⁽¹⁾	LVD hysteresis	—	—	100	—	mV
V _{POR}	Power on reset threshold	Rising edge	2.32	2.38	2.43	V
V _{PDR}	Power down reset threshold	Falling edge	1.79	1.82	1.86	V
V _{PDRhyst}	PDR hysteresis	—	—	560	—	mV
t _{RSTTEMP}	Reset temporization	—	—	2.70	—	ms

(1) Based on characterization, not tested in production.

4.6 Electrical sensitivity

The device is strained in order to determine its performance in terms of electrical sensitivity. Electrostatic discharges (ESD) are applied directly to the pins of the sample. Static latch-up

(LU) test is based on the two measurement methods.

Table 4-11. ESD characteristics⁽¹⁾

Symbol	Parameter	Conditions	Min	Typ	Max	Unit
V _{ESD(HBM)}	Electrostatic discharge voltage (human body model)	T _A = 25 °C; JESD22-A114	—	—	6000	V
V _{ESD(CDM)}	Electrostatic discharge voltage (charge device model)	T _A = 25 °C; JESD22-C101	—	—	2000	V

(1). Based on characterization, not tested in production.

Table 4-12. Static latch-up characteristics⁽¹⁾

Symbol	Parameter	Conditions	Min	Typ	Max	Unit
LU	I-test	T _A = 25 °C; JESD78	—	—	±200	mA
	V _{supply over voltage}		—	—	5.4	V

(1). Based on characterization, not tested in production.

4.7 External clock characteristics

Table 4-13. High speed external clock (HXTAL) generated from a crystal/ceramic characteristics

Symbol	Parameter	Conditions	Min	Typ	Max	Unit
f _{HXTAL} ⁽¹⁾	Crystal or ceramic frequency	V _{DD} = 3.3 V	4	8	32	MHz
R _F ⁽²⁾	Feedback resistor	V _{DD} = 3.3 V	—	400	—	kΩ
C _{HXTAL} ⁽²⁾⁽³⁾	Recommended matching capacitance on OSCIN and OSCOUT	—	—	20	30	pF
D _{cy(HXTAL)} ⁽²⁾	Crystal or ceramic duty cycle	—	30	50	70	%
I _{DD(HXTAL)} ⁽¹⁾	Crystal or ceramic operating current	V _{DD} = 3.3 V, T _A = 25 °C	—	1.3	—	mA
t _{SUHXTAL} ⁽¹⁾	Crystal or ceramic startup time	V _{DD} = 3.3 V, T _A = 25 °C	—	1.8	—	ms

(1). Based on characterization, not tested in production.

(2). Guaranteed by design, not tested in production.

(3). C_{HXTAL1} = C_{HXTAL2} = 2*(C_{LOAD} - C_S), For C_{HXTAL1} and C_{HXTAL2}, it is recommended matching capacitance on OSCIN and OSCOUT. For C_{LOAD}, it is crystal/ceramic load capacitance, provided by the crystal or ceramic manufacturer. For C_S, it is PCB and MCU pin stray capacitance.

Table 4-14. High speed external user clock characteristics (HXTAL in bypass mode)

Symbol	Parameter	Conditions	Min	Typ	Max	Unit
f _{HXTAL_ext} ⁽¹⁾	External clock source or oscillator frequency	V _{DD} = 3.3 V	1	8	50	MHz
V _{HXTALH} ⁽²⁾	OSCIN input pin high level voltage	V _{DD} = 3.3 V	0.7V _{DD}	—	V _{DD}	V
V _{HXTALL} ⁽²⁾	OSCIN input pin low level voltage		V _{SS}	—	0.3V _{DD}	
t _{H/L(HXTAL)} ⁽²⁾	OSCIN high or low time	—	5	—	—	ns

Symbol	Parameter	Conditions	Min	Typ	Max	Unit
$t_{R/F(HXTAL)}^{(2)}$	OSCIN rise or fall time	—	—	—	10	
$C_{IN}^{(1)}$	OSCIN input capacitance	—	—	5	—	pF
$Ducy_{(HXTAL)}^{(2)}$	Duty cycle	—	30	50	70	%

(1). Based on characterization, not tested in production.

(2). Guaranteed by design, not tested in production.

Table 4-15. Low speed external clock (LXTAL) generated from a crystal/ceramic characteristics

Symbol	Parameter	Conditions	Min	Typ	Max	Unit
$f_{LXTAL}^{(1)}$	Crystal or ceramic frequency	—	—	32.768	—	kHz
$C_{LXTAL}^{(2)(3)}$	Recommended matching capacitance on OSC32IN and OSC32OUT	—	—	15	—	pF
$Ducy_{(LXTAL)}^{(2)}$	Crystal or ceramic duty cycle	—	30	—	70	%
$I_{DDLXTAL}^{(1)}$	Crystal or ceramic operating current	LXTALDRI[1:0] = 11	—	1.3	—	μA
		LXTALDRI[1:0] = 10	—	1.0	—	
		LXTALDRI[1:0] = 01	—	0.7	—	
		LXTALDRI[1:0] = 00	—	0.6	—	
$t_{SULXTAL}^{(1)(4)}$	Crystal or ceramic startup time	—	—	1.8	—	s

(1). Based on characterization, not tested in production.

(2). Guaranteed by design, not tested in production.

(3). $C_{LXTAL1} = C_{LXTAL2} = 2 * (C_{LOAD} - C_S)$, For C_{LXTAL1} and C_{LXTAL2} , it is recommended matching capacitance on OSC32IN and OSC32OUT. For C_{LOAD} , it is crystal/ceramic load capacitance, provided by the crystal or ceramic manufacturer. For C_S , it is PCB and MCU pin stray capacitance.

(4). $t_{SULXTAL}$ is the startup time measured from the moment it is enabled (by software) to the 32.768 kHz oscillator stabilization flags is SET. This value varies significantly with the crystal manufacturer.

Table 4-16. Low speed external user clock characteristics (LXTAL in bypass mode)

Symbol	Parameter	Conditions	Min	Typ	Max	Unit
f_{LXTAL_ext}	External clock source or oscillator frequency	—	—	32.768	1000	kHz
$V_{LXTALH}^{(1)}$	OSC32IN input pin high level voltage	—	0.7V _{DD}	—	V _{DD}	V
$V_{LXTALL}^{(1)}$	OSC32IN input pin low level voltage		V _{SS}	—	0.3V _{DD}	
$t_{H/L(LXTAL)}^{(1)}$	OSC32IN high or low time	—	450	—	—	ns
$t_{R/F(LXTAL)}^{(1)}$	OSC32IN rise or fall time	—	—	—	50	
$C_{IN}^{(1)}$	OSC32IN input capacitance	—	—	5	—	pF
$Ducy_{(LXTAL)}^{(1)}$	Duty cycle	—	30	50	70	%

(1). Guaranteed by design, not tested in production.

4.8 Internal clock characteristics

Table 4-17. High speed internal clock (IRC8M) characteristics

Symbol	Parameter	Conditions	Min	Typ	Max	Unit
f_{IRC8M}	High Speed Internal Oscillator (IRC8M) frequency	$V_{DD} = V_{DDA} = 3.3\text{ V}$	—	8	—	MHz
ACC_{IRC8M}	IRC8M oscillator Frequency accuracy, Factory-trimmed	$V_{DD} = V_{DDA} = 3.3\text{ V}$, $T_A = -40\text{ }^{\circ}\text{C} \sim +105\text{ }^{\circ}\text{C}^{(1)}$	-4.0	—	+5.0	%
		$V_{DD} = V_{DDA} = 3.3\text{ V}$, $T_A = 0\text{ }^{\circ}\text{C} \sim +85\text{ }^{\circ}\text{C}$	-2.0	—	+2.0	%
		$V_{DD} = V_{DDA} = 3.3\text{ V}$, $T_A = 25\text{ }^{\circ}\text{C}$	-1.0	—	+1.0	%
	IRC8M oscillator Frequency accuracy, User trimming step ⁽¹⁾	—	—	0.5	—	%
$D_{UCY}_{IRC8M}^{(2)}$	IRC8M oscillator duty cycle	$V_{DD} = V_{DDA} = 3.3\text{ V}$, $f_{IRC8M} = 8\text{ MHz}$	45	50	55	%
$I_{DDA}_{IRC8M}^{(1)}$	IRC8M oscillator operating current	$V_{DD} = V_{DDA} = 3.3\text{ V}$, $f_{IRC8M} = 8\text{ MHz}$	—	66	—	μA
$t_{SUI}_{IRC8M}^{(1)}$	IRC8M oscillator startup time	$V_{DD} = V_{DDA} = 3.3\text{ V}$, $f_{IRC8M} = 8\text{ MHz}$	—	2	—	μs

(1). Based on characterization, not tested in production.

(2). Guaranteed by design, not tested in production.

Table 4-18. High speed internal clock (IRC28M) characteristics

Symbol	Parameter	Conditions	Min	Typ	Max	Unit
f_{IRC28M}	High Speed Internal Oscillator (IRC28M) frequency	$V_{DD} = V_{DDA} = 3.3\text{ V}$	—	28	—	MHz
ACC_{IRC28M}	IRC28M oscillator Frequency accuracy, Factory-trimmed	$V_{DD} = V_{DDA} = 3.3\text{ V}$, $T_A = -40\text{ }^{\circ}\text{C} \sim +105\text{ }^{\circ}\text{C}^{(1)}$	-4.0	—	+5.0	%
		$V_{DD} = V_{DDA} = 3.3\text{ V}$, $T_A = 0\text{ }^{\circ}\text{C} \sim +85\text{ }^{\circ}\text{C}$	-2.0	—	+2.0	%
		$V_{DD} = V_{DDA} = 3.3\text{ V}$, $T_A = 25\text{ }^{\circ}\text{C}$	-1.0	—	+1.0	%
	IRC28M oscillator Frequency accuracy, User trimming step ⁽¹⁾	—	—	0.5	—	%
$D_{UCY}_{IRC28M}^{(2)}$	IRC28M oscillator duty cycle	$V_{DD} = V_{DDA} = 3.3\text{ V}$, $f_{IRC28M} = 28\text{ MHz}$	45	50	55	%
$I_{DDA}_{IRC28M}^{(1)}$	IRC28M oscillator operating current	$V_{DD} = V_{DDA} = 3.3\text{ V}$, $f_{IRC28M} = 28\text{ MHz}$	—	120	—	μA
$t_{SUI}_{IRC28M}^{(1)}$	IRC28M oscillator startup time	$V_{DD} = V_{DDA} = 3.3\text{ V}$, $f_{IRC28M} = 28\text{ MHz}$	—	1.6	—	μs

- (1). Based on characterization, not tested in production.
 (2). Guaranteed by design, not tested in production.

Table 4-19. Low speed internal clock (IRC40K) characteristics

Symbol	Parameter	Conditions	Min	Typ	Max	Unit
$f_{IRC40K}^{(1)}$	Low Speed Internal oscillator (IRC40K) frequency	$V_{DD} = V_{DDA} = 3.3\text{ V}$, $T_A = -40^\circ\text{C} \sim +105^\circ\text{C}$	20	40	45	kHz
$I_{DDAIRC40K}^{(2)}$	IRC40K oscillator operating current	$V_{DD} = V_{DDA} = 3.3\text{ V}$, $T_A = 25^\circ\text{C}$	—	0.4	—	μA
$t_{SUIRC40K}^{(2)}$	IRC40K oscillator startup time	$V_{DD} = V_{DDA} = 3.3\text{ V}$, $T_A = 25^\circ\text{C}$	—	110	—	μs

- (1). Guaranteed by design, not tested in production.
 (2). Based on characterization, not tested in production.

Table 4-20. High speed internal clock (IRC48M) characteristics

Symbol	Parameter	Conditions	Min	Typ	Max	Unit
f_{IRC48M}	High Speed Internal Oscillator (IRC48M) frequency	$V_{DD} = V_{DDA} = 3.3\text{ V}$	—	48	—	MHz
ACC_{IRC48M}	IRC48M oscillator Frequency accuracy, Factory-trimmed	$V_{DD} = V_{DDA} = 3.3\text{ V}$, $T_A = -40^\circ\text{C} \sim +105^\circ\text{C}^{(1)}$	-4.0	—	+5.0	%
		$V_{DD} = V_{DDA} = 3.3\text{ V}$, $T_A = 0^\circ\text{C} \sim +85^\circ\text{C}$	-3.0	—	+3.0	%
		$V_{DD} = V_{DDA} = 3.3\text{ V}$, $T_A = 25^\circ\text{C}$	-2.0	—	+2.0	%
	IRC48M oscillator Frequency accuracy, User trimming step ⁽¹⁾	—	—	0.12	—	%
$D_{IRC48M}^{(2)}$	IRC48M oscillator duty cycle	$V_{DD} = V_{DDA} = 3.3\text{ V}$, $f_{IRC48M} = 48\text{ MHz}$	45	50	55	%
$I_{DDAIRC48M}^{(1)}$	IRC48M oscillator operating current	$V_{DD} = V_{DDA} = 3.3\text{ V}$, $f_{IRC48M} = 48\text{ MHz}$	—	260	—	μA
$t_{SUIRC48M}^{(1)}$	IRC48M oscillator startup time	$V_{DD} = V_{DDA} = 3.3\text{ V}$, $f_{IRC48M} = 48\text{ MHz}$	—	1.5	—	μs

- (1). Based on characterization, not tested in production.
 (2). Guaranteed by design, not tested in production.

4.9 PLL characteristics

Table 4-21. PLL characteristics

Symbol	Parameter	Conditions	Min	Typ	Max	Unit
$f_{PLLIN}^{(1)}$	PLL input clock frequency	—	1	—	25	MHz
f_{PLLOUT}	PLL output clock frequency	—	16	—	84	MHz
f_{VCO}	PLL VCO output clock frequency	—	—	—	84	MHz
t_{LOCK}	PLL lock time	—	—	—	300	μs

$I_{DDA}^{(1)}$	Current consumption on V_{DDA}	VCO freq = 84 MHz	—	270	—	μA
$Jitter_{PLL}^{(3)}$	Cycle to cycle Jitter (rms)	System clock	—	32.1	—	ps
	Cycle to cycle Jitter (peak to peak)		—	255.6	—	

(1). Based on characterization, not tested in production.

(2). Guaranteed by design, not tested in production.

(3). System clock = IRC8M = 8 MHz, f_{PLLOUT} = 84 MHz.

(3). Value given with main PLL running.

4.10 Memory characteristics

Table 4-22. Flash memory characteristics

Symbol	Parameter	Conditions	Min	Typ	Max	Unit
$PE_{CYC}^{(1)}$	Number of guaranteed program /erase cycles before failure(Endurance)	$T_A = -40\text{ }^\circ\text{C} \sim +85\text{ }^\circ\text{C}$	100	—	—	kcycles
$t_{RET}^{(1)}$	Data retention time	10k cycles at $T_A = 85\text{ }^\circ\text{C}$	—	20	—	years
$t_{PROG}^{(2)}$	Word ⁽³⁾ programming time	$T_A = -40\text{ }^\circ\text{C} \sim +85\text{ }^\circ\text{C}$	—	37.5	86	μs
$t_{ERASE}^{(2)}$	Page erase time	$T_A = -40\text{ }^\circ\text{C} \sim +85\text{ }^\circ\text{C}$	—	45	300	ms
$t_{MERASE}^{(2)}$	Mass erase time	$T_A = -40\text{ }^\circ\text{C} \sim +85\text{ }^\circ\text{C}$	—	0.5	1.6	s

(1). Based on characterization, not tested in production.

(2). Guaranteed by design, not tested in production.

(3). Word is 32 bits or 64 bits depend on PGW bit in FMC_WS register.

4.11 NRST pin characteristics

Table 4-23. NRST pin characteristics

Symbol	Parameter	Conditions	Min	Typ	Max	Unit
$V_{IL(NRST)}^{(1)}$	NRST Input low level voltage	$2.6\text{ V} \leq V_{DD} = V_{DDA} \leq 3.6\text{ V}$	-0.5	—	0.3VDD	V
$V_{IH(NRST)}^{(1)}$	NRST Input high level voltage		0.7VDD	—	$V_{DD} + 0.5$	
V_{hyst}	Schmidt trigger Voltage hysteresis		—	—	140	mV
$R_{pu}^{(2)}$	Pull-up equivalent resistor	—	—	40	—	k Ω

(1). Based on characterization, not tested in production.

(2). Guaranteed by design, not tested in production.

4.12 GPIO characteristics

Table 4-24. I/O port DC characteristics⁽¹⁾

Symbol	Parameter	Conditions	Min	Typ	Max	Unit
V_{IL}	Standard IO Low level input voltage	$2.6\text{ V} \leq V_{DD} = V_{DDA} \leq 3.6\text{ V}$	V_{SS}	—	0.3VDD	V
				—		

Symbol	Parameter	Conditions	Min	Typ	Max	Unit	
	5V-tolerant IO Low level input voltage	$2.6\text{ V} \leq V_{DD} = V_{DDA} \leq 3.6\text{ V}$	V_{SS}	—	$0.3V_{DD}$	V	
				—			
				—			
V_{IH}	Standard IO High level input voltage	$2.6\text{ V} \leq V_{DD} = V_{DDA} \leq 3.6\text{ V}$	$0.7V_{DD}$	—	V_{DD}	V	
				—			
				—			
	5V-tolerant IO High level input voltage	$2.6\text{ V} \leq V_{DD} = V_{DDA} \leq 3.6\text{ V}$	$0.7V_{DD}$	—	V_{DD}	V	
				—			
				—			
V_{OL}	Low level output voltage for 8 IO Pins (each $I_{IO} = +8\text{ mA}$)	$V_{DD} = 2.6\text{ V}$	—	—	0.21	V	
		$V_{DD} = 3.3\text{ V}$	—	—	0.19		
		$V_{DD} = 3.6\text{ V}$	—	—	0.18		
V_{OL}	Low level output voltage for 8 IO Pins (each $I_{IO} = +20\text{ mA}$)	$V_{DD} = 2.6\text{ V}$	—	—	0.54	V	
		$V_{DD} = 3.3\text{ V}$	—	—	0.47		
		$V_{DD} = 3.6\text{ V}$	—	—	0.45		
V_{OH}	High level output voltage for 8 IO Pins (each $I_{IO} = +8\text{ mA}$)	$V_{DD} = 2.6\text{ V}$	2.40	—	—	V	
		$V_{DD} = 3.3\text{ V}$	3.10	—	—		
		$V_{DD} = 3.6\text{ V}$	3.40	—	—		
V_{OH}	High level output voltage for 8 IO Pins (each $I_{IO} = +20\text{ mA}$)	$V_{DD} = 2.6\text{ V}$	1.95	—	—	V	
		$V_{DD} = 3.3\text{ V}$	2.73	—	—		
		$V_{DD} = 3.6\text{ V}$	3.07	—	—		
$R_{PU}^{(2)}$	Internal pull-up resistor	All pins	$V_{IN} = V_{SS}$	30	40	50	k Ω
		PA10	—	7.5	10	13.5	k Ω
$R_{PD}^{(2)}$	Internal pull-down resistor	All pins	$V_{IN} = V_{DD}$	30	40	50	k Ω
		PA10	—	7.5	10	13.5	k Ω

(1). Based on characterization, not tested in production.

(2). Guaranteed by design, not tested in production.

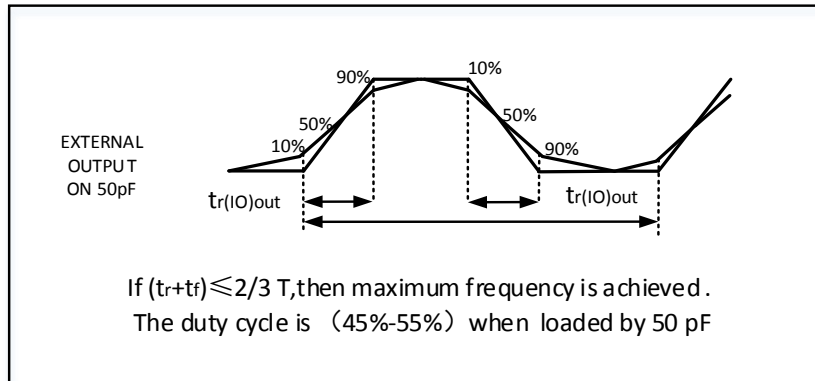
Table 4-25. I/O port AC characteristics⁽¹⁾⁽²⁾

GPIOx_OSPD[1:0] bit value ⁽³⁾	Parameter	Conditions	Max	Unit
GPIOx_OSPD0->OSPDy[1:0] = X0 (IO_Speed = 2MHz)	Maximum frequency ⁽⁴⁾	$V_{DD} = 3.3\text{ V}, C_L = 10\text{ pF}$	20	MHz
		$V_{DD} = 3.3\text{ V}, C_L = 30\text{ pF}$	10	
		$V_{DD} = 3.3\text{ V}, C_L = 50\text{ pF}$	8	
GPIOx_OSPD0->OSPDy[1:0] = 01 (IO_Speed = 10 MHz)	Maximum frequency ⁽⁴⁾	$V_{DD} = 3.3\text{ V}, C_L = 10\text{ pF}$	46	MHz
		$V_{DD} = 3.3\text{ V}, C_L = 30\text{ pF}$	40	
		$V_{DD} = 3.3\text{ V}, C_L = 50\text{ pF}$	30	
GPIOx_OSPD0->OSPDy[1:0] = 11 (IO_Speed = 50 MHz)	Maximum frequency ⁽⁴⁾	$V_{DD} = 3.3\text{ V}, C_L = 10\text{ pF}$	128	MHz
		$V_{DD} = 3.3\text{ V}, C_L = 30\text{ pF}$	120	
		$V_{DD} = 3.3\text{ V}, C_L = 50\text{ pF}$	112	
GPIOx_OSPD0->OSPDy[1:0] = 11 and	Maximum frequency ⁽⁴⁾	$V_{DD} = 3.3\text{ V}, C_L = 10\text{ pF}$	144	MHz
		$V_{DD} = 3.3\text{ V}, C_L = 30\text{ pF}$	128	

GPIOx_OSPD[1:0] bit value ⁽³⁾	Parameter	Conditions	Max	Unit
GPIOx_OSPD1->SPDy = 1 (IO_Speed mode = MAX)		V _{DD} = 3.3 V, C _L = 50 pF	116	

- (1). Based on characterization, not tested in production.
- (2). Unless otherwise specified, all test results given for T_A = 25°C.
- (3). The I/O speed is configured using the GPIOx_OSPD0->OSPDy [1:0] bits. Refer to the GD32F3x0 user manual which is selected to set the GPIO port output speed.
- (4). The maximum frequency is defined in Figure 4-1.

Figure 4-1. I/O port AC characteristics definition



4.13 ADC characteristics

Table 4-26. ADC characteristics

Symbol	Parameter	Conditions	Min	Typ	Max	Unit
V _{DDA} ⁽¹⁾	Operating voltage	—	2.6	3.3	3.6	V
V _{IN} ⁽¹⁾	ADC input voltage range	—	0	—	V _{REF+}	V
f _{ADC} ⁽¹⁾	ADC clock	—	0.1	—	40	MHz
f _S ⁽¹⁾	Sampling rate	12-bit	0.007	—	2.86	MSPS
		10-bit	0.008	—	3.33	
		8-bit	0.01	—	4.00	
		6-bit	0.011	—	5.00	
V _{AIN} ⁽¹⁾	Analog input voltage	16 external; 2 internal	0	—	V _{DDA}	V
V _{REF+} ⁽²⁾	Positive Reference Voltage	—	—	V _{DDA}	—	V
V _{REF-} ⁽²⁾	Negative Reference Voltage	—	—	0	—	V
R _{AIN} ⁽²⁾	External input impedance	See Equation 1	—	—	24	kΩ
R _{ADC} ⁽²⁾	Input sampling switch resistance	—	—	—	0.2	kΩ
C _{ADC} ⁽²⁾	Input sampling capacitance	No pin/pad capacitance included	—	—	5.5	pF
t _{CAL} ⁽²⁾	Calibration time	f _{ADC} = 40 MHz	—	3.12	—	μs
t _S ⁽²⁾	Sampling time	f _{ADC} = 40 MHz	0.036	—	5.7	μs
t _{CONV} ⁽²⁾	Total conversion time (including sampling time)	12-bit	—	14	—	1/ f _{ADC}
		10-bit	—	12	—	
		8-bit	—	10	—	

		6-bit	—	8	—	
$t_{SU}^{(2)}$	Startup time	—	—	—	1	μs

(1). Based on characterization, not tested in production.

(2). Guaranteed by design, not tested in production.

Equation 1: $R_{AIN\ max} \text{ formula } R_{AIN} < \frac{T_s}{f_{ADC} * C_{ADC} * \ln(2^{N+2})} - R_{ADC}$

The formula above (Equation 1) is used to determine the maximum external impedance allowed for an error below 1/4 of LSB. Here N = 12 (from 12-bit resolution).

Table 4-27. ADC RAIN max for $f_{ADC} = 40\ MHz$

$T_s(\text{cycles})$	$t_s(\mu s)$	$R_{AINmax} (k\Omega)$
1.5	0.04	0.47
7.5	0.18	3.15
13.5	0.32	5.82
28.5	0.68	12.55
41.5	0.99	18.35
55.5	1.32	24.55
71.5	1.70	NA
239.5	5.70	NA

Table 4-28. ADC dynamic accuracy at $f_{ADC} = 28\ MHz^{(1)}$

Symbol	Parameter	Test conditions	Min	Typ	Max	Unit
ENOB	Effective number of bits	$f_{ADC} = 28\ MHz$ $V_{DD} = V_{DDA} = 3.3\ V$ Input Frequency = 20 KHz Temperature = 25°C	—	10.3	—	bits
SNDR	Signal-to-noise and distortion ratio		—	63.8	—	
SNR	Signal-to-noise ratio		—	64.5	—	dB
THD	Total harmonic distortion		—	-67.5	—	

(1). Based on characterization, not tested in production.

Table 4-29. ADC dynamic accuracy at $f_{ADC} = 30\ MHz^{(1)}$

Symbol	Parameter	Test conditions	Min	Typ	Max	Unit
ENOB	Effective number of bits	$f_{ADC} = 30\ MHz$ $V_{DD} = V_{DDA} = 3.3\ V$ Input Frequency = 20 KHz Temperature = 25 °C	—	10.3	—	bits
SNDR	Signal-to-noise and distortion ratio		—	63.8	—	
SNR	Signal-to-noise ratio		—	64.5	—	dB
THD	Total harmonic distortion		—	-67.5	—	

(1). Based on characterization, not tested in production.

Table 4-30. ADC dynamic accuracy at $f_{ADC} = 36\ MHz$

Symbol	Parameter	Test conditions	Min	Typ	Max	Unit
ENOB	Effective number of bits	$f_{ADC} = 36\ MHz$ $V_{DD} = V_{DDA} = 3.3\ V$ Input Frequency = 20 KHz Temperature = 25 °C	10.3	10.4	—	bits
SNDR	Signal-to-noise and distortion ratio		63.8	64.4	—	
SNR	Signal-to-noise ratio		64.2	65	—	dB
THD	Total harmonic distortion		-70	-72	—	

Table 4-31. ADC static accuracy at $f_{ADC} = 14\ MHz^{(1)}$

Symbol	Parameter	Test conditions	Typ	Max	Unit
Offset	Offset error	$f_{ADC} = 14\ MHz$	± 1	—	LSB

DNL	Differential linearity error	$V_{DD} = V_{DDA} = 3.3\text{ V}$	± 1	—	
INL	Integral linearity error		± 3	—	

(1). Based on characterization, not tested in production.

4.14 Temperature sensor characteristics

Table 4-32. Temperature sensor characteristics⁽¹⁾

Symbol	Parameter	Min	Typ	Max	Unit
T_L	V_{SENSE} linearity with temperature	—	± 1.5	—	$^{\circ}\text{C}$
Avg_Slope	Average slope	—	4.3	—	$\text{mV}/^{\circ}\text{C}$
V_{25}	Voltage at 25 $^{\circ}\text{C}$	—	1.45	—	V
t_{S_temp} ⁽²⁾	ADC sampling time when reading the temperature	—	17.1	—	μs

(1). Based on characterization, not tested in production.

(2). Shortest sampling time can be determined in the application by multiple iterations.

4.15 I2C characteristics

Table 4-33. I2C characteristics⁽¹⁾⁽²⁾⁽³⁾

Symbol	Parameter	Condi- tions	Standard mode		Fast mode		Fast mode plus		Unit
			Min	Max	Min	Max	Min	Max	
$t_{SCL(H)}$	SCL clock high time	—	4.0	—	0.6	—	0.2	—	μs
$t_{SCL(L)}$	SCL clock low time	—	4.7	—	1.3	—	0.5	—	μs
$t_{su(SDA)}$	SDA setup time	—	2	—	0.8	—	0.1	—	μs
$t_{h(SDA)}$	SDA data hold time	—	250	—	250	—	130	—	ns
$t_{r(SDA/SCL)}$	SDA and SCL rise time	—	—	1000	20	300	—	120	ns
$t_{f(SDA/SCL)}$	SDA and SCL fall time	—	4	300	2	300	2	120	ns
$t_{h(STA)}$	Start condition hold time	—	4.0	—	0.6	—	0.26	—	μs

(1). Guaranteed by design, not tested in production.

(2). Test condition: GPIO_SPEED set 2 MHz and external pull-up resistor value is 1 k Ω when operate EEPROM with I2C.

(3). The device should provide a data hold time of 300 ns at least in order to bridge the undefined region of the falling edge of SCL.

4.16 SPI characteristics

Table 4-34. Standard SPI characteristics⁽¹⁾

Symbol	Parameter	Conditions	Min	Typ	Max	Unit
f_{SCK}	SCK clock frequency	—	—	—	21	MHz
$t_{SCK(H)}$	SCK clock high time	Master mode, $f_{PCLKX} = 84\text{ MHz}$, presc = 8	45.62	47.62	49.62	ns

Symbol	Parameter	Conditions	Min	Typ	Max	Unit
t _{SCK(L)}	SCK clock low time	Master mode, f _{PCLKx} = 84 MHz, presc = 8	45.62	47.62	49.62	ns
SPI master mode						
t _{V(MO)}	Data output valid time	—	—	5	6	ns
t _{H(MO)}	Data output hold time	—	3	—	—	ns
t _{SU(MI)}	Data input setup time	—	1	—	—	ns
t _{H(MI)}	Data input hold time	—	0	—	—	ns
SPI slave mode						
t _{SU(NSS)}	NSS enable setup time	—	0	—	—	ns
t _{H(NSS)}	NSS enable hold time	—	1	—	—	ns
t _{A(SO)}	Data output access time	—	9	—	13	ns
t _{DIS(SO)}	Data output disable time	—	9	—	13	ns
t _{V(SO)}	Data output valid time	—	—	14	16	ns
t _{H(SO)}	Data output hold time	—	11	—	—	ns
t _{SU(SI)}	Data input setup time	—	0	—	—	ns
t _{H(SI)}	Data input hold time	—	3	—	—	ns

(1). Based on characterization, not tested in production.

4.17 USART characteristics

Table 4-35. USART characteristics⁽¹⁾

Symbol	Parameter	Conditions	Min	Typ	Max	Unit
f _{SCK}	SCK clock frequency	f _{PCLKx} = 84 MHz	—	—	42	MHz
t _{SCK(H)}	SCK clock high time	f _{PCLKx} = 84 MHz	11.9	—	—	ns
t _{SCK(L)}	SCK clock low time	f _{PCLKx} = 84 MHz	11.9	—	—	ns

(1). Guaranteed by design, not tested in production.

4.18 TIMER characteristics

Table 4-36. TIMER characteristics⁽¹⁾

Symbol	Parameter	Conditions	Min	Max	Unit
t _{res}	Timer resolution time	—	1	—	t _{TIMERxCLK}
		f _{TIMERxCLK} = 84 MHz	11.9	—	ns
f _{EXT}	Timer external clock frequency	—	0	f _{TIMERxCLK} /2	MHz
		f _{TIMERxCLK} = 84 MHz	0	42	MHz
RES	Timer resolution	—	—	16/32	bit
t _{COUNTER}	16-bit counter clock period when internal clock is selected	—	1	65536	t _{TIMERxCLK}
		f _{TIMERxCLK} = 84 MHz	0.0119	780.2	μs
t _{MAX_COUNT}	Maximum possible count	—	—	65536 × 65536	t _{TIMERxCLK}
		f _{TIMERxCLK} = 84 MHz	—	51.13	s

(1). Guaranteed by design, not tested in production.

4.19 WDGT characteristics

Table 4-37. FWDGT min/max timeout period at 40 kHz (IRC40K) ⁽¹⁾

Prescaler divider	PR[2:0] bits	Min timeout RLD[11:0] = 0x000	Max timeout RLD[11:0] = = 0xFFF	Unit
1/4	000	0.1	409.6	ms
1/8	001	0.2	819.2	
1/16	010	0.4	1638.4	
1/32	011	0.8	3276.8	
1/64	100	1.6	6553.6	
1/128	101	3.2	13107.2	
1/256	110 or 111	6.4	26214.4	

(1). Guaranteed by design, not tested in production.

Table 4-38. WWDGT min-max timeout value at 84 MHz (f_{PCLK1}) ⁽¹⁾

Prescaler divider	PSC[2:0]	Min timeout value CNT[6:0] = 0x40	Unit	Max timeout value CNT[6:0] = 0x7F	Unit
1/1	00	48.8	μs	3.12	ms
1/2	01	97.5		6.24	
1/4	10	195.0		12.48	
1/8	11	390.1		24.97	

(1). Guaranteed by design, not tested in production.

4.20 Parameter conditions

Unless otherwise specified, all values given for V_{DD} = V_{DDA} = 3.3V, T_A = 25°C.

5 Package information

5.1 TSSOP package outline dimensions

Figure 5-1. TSSOP package outline

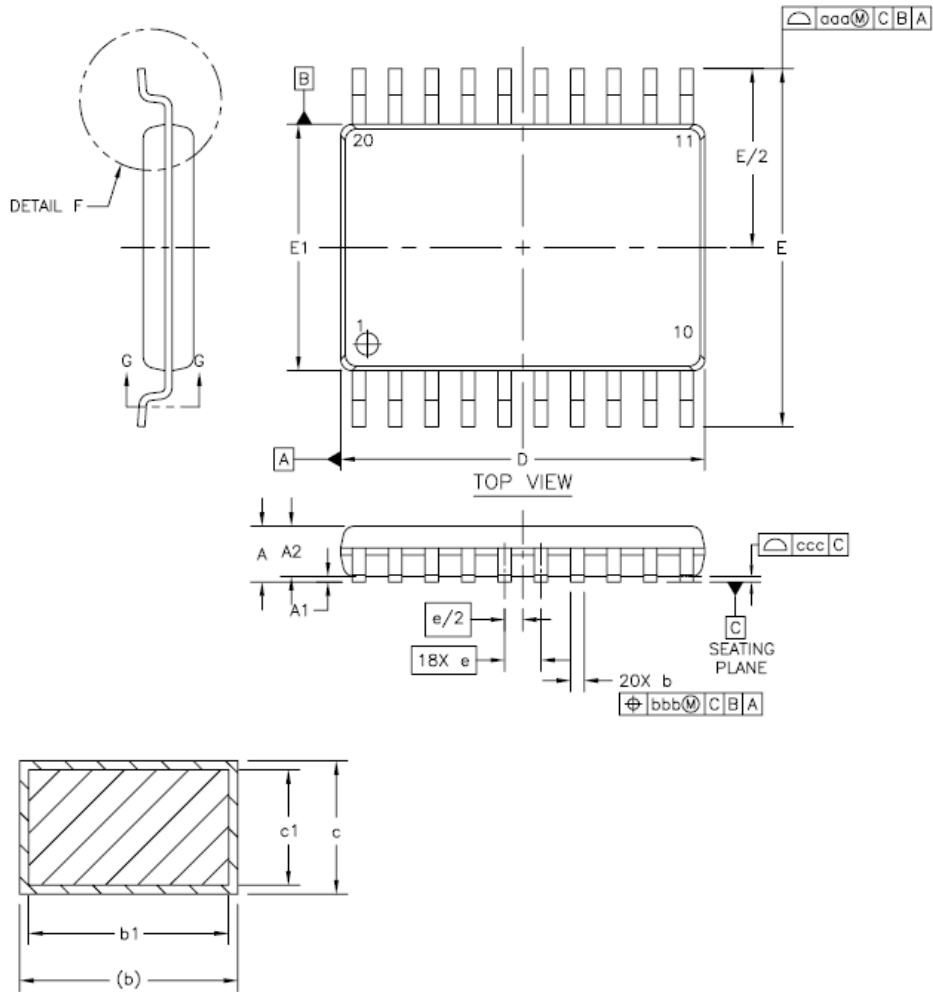


Table 5-1. TSSOP20 package dimensions

Symbol	Dimensions (mm)			Symbol	Dimensions (mm)		
	Min	Typ	Max		Min	Typ	Max
A	-	-	1.2	c1	0.09	-	0.16
A1	0.05	-	1.15	D	6.4	6.5	6.6
A2	0.80	1.00	1.05	E1	4.3	4.4	4.5
b	0.19	-	0.30	E	6.40		
B1	0.19	0.22	0.25	e	0.65		
c	0.09	-	0.20	L	0.45	0.6	0.75

5.2 QFN package outline dimensions

Figure 5-2. QFN package outline

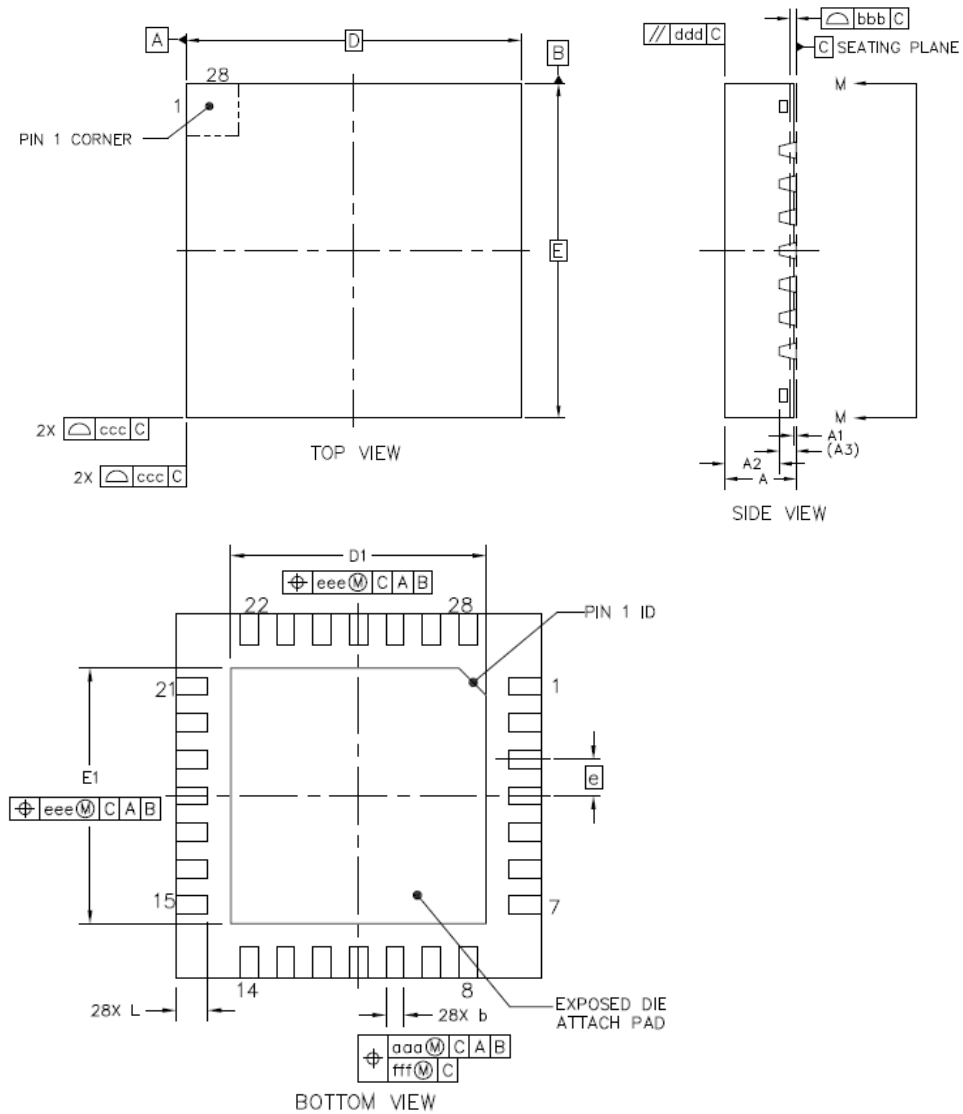


Table 5-2. QFN package dimensions

Symbol	QFN28			QFN32		
	Min	Typ	Max	Min	Typ	Max
A	0.8	0.85	0.9	0.8	0.85	0.9
A1	0	0.035	0.05	0	0.035	0.05
A2	-	0.65	0.67	-	0.65	0.67
A3	-	0.203	-	-	0.203	-
D	-	4.0	-	-	5.0	-
E	-	4.0	-	-	5.0	-
D1	2.7	2.8	2.9	3.4	3.5	3.6
E1	2.7	2.8	2.9	3.4	3.5	3.6
L	0.25	0.35	0.45	0.3	0.4	0.5
e	0.4			0.5		
b	0.15	0.2	0.25	0.2	0.25	0.3

(Original dimensions are in millimeters)

5.3 LQFP package outline dimensions

Figure 5-3. LQFP package outline

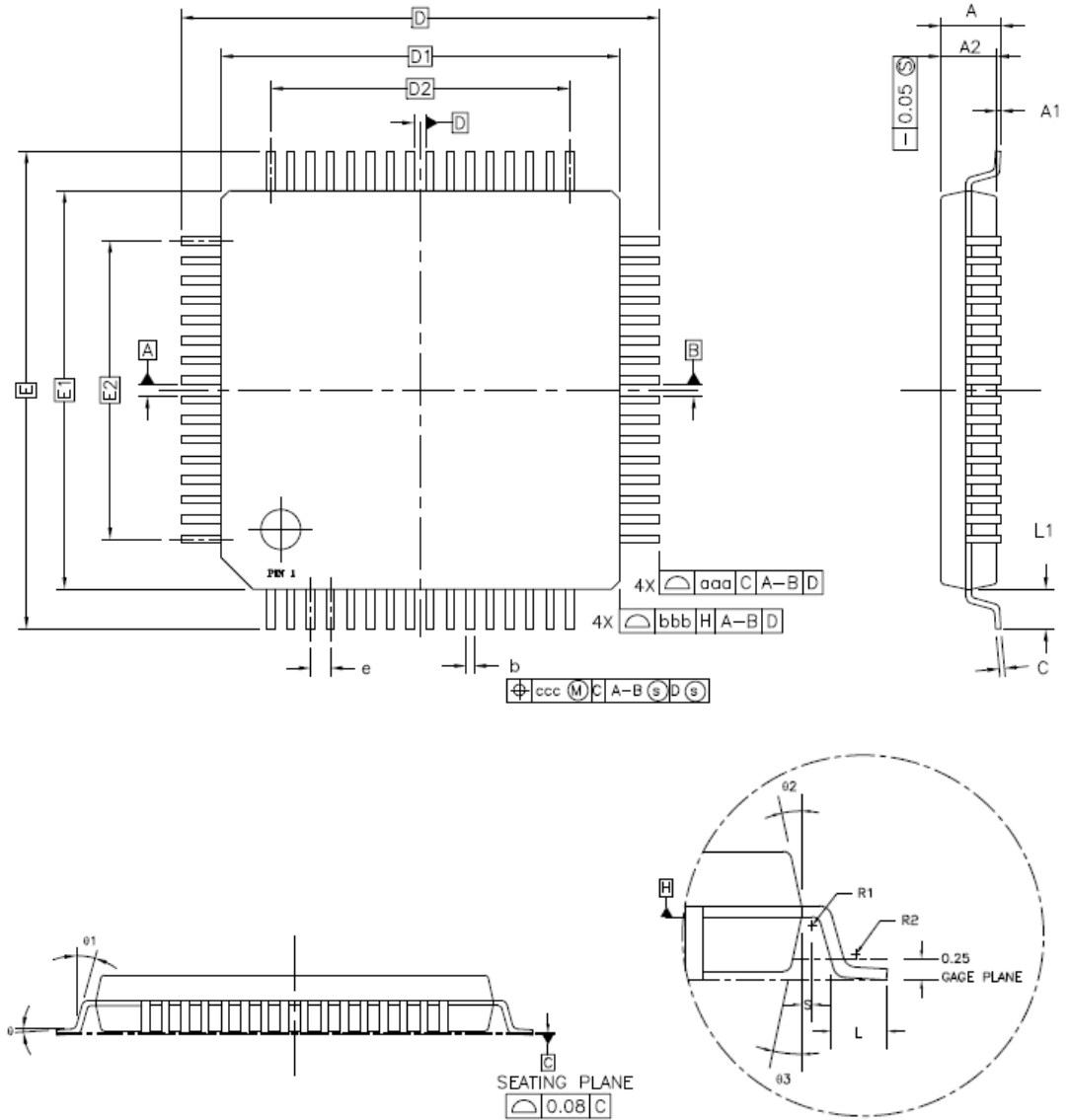


Table 5-3. LQFP package dimensions

Symbol	LQFP48			LQFP64		
	Min	Typ	Max	Min	Typ	Max
A	-	-	1.60	-	-	1.60
A1	0.05	-	0.15	0.05	-	0.15
A2	1.35	1.40	1.45	1.35	1.40	1.45
D	-	9.00	-	-	12.00	-
D1	-	7.00	-	-	10.00	-
E	-	9.00	-	-	12.00	-
E1	-	7.00	-	-	10.00	-
R1	0.08	-	-	0.08	-	-
R2	0.08	-	0.20	0.08	-	0.20
θ	0°	3.5°	7°	0°	3.5°	7°
θ_1	0°	-	-	0°	-	-
θ_2	11°	12°	13°	11°	12°	13°
θ_3	11°	12°	13°	11°	12°	13°
c	0.09	-	0.20	0.09	-	0.20
L	0.45	0.60	0.75	0.45	0.60	0.75
L1	-	1.00	-	-	1.00	-
S	0.20	-	-	0.20	-	-
b	0.17	0.22	0.27	0.17	0.20	0.27
e	-	0.50	-	-	0.50	-
D2	-	5.50	-	-	7.50	-
E2	-	5.50	-	-	7.50	-
aaa	0.20			0.20		
bbb	0.20			0.20		
ccc	0.08			0.08		

(Original dimensions are in millimeters)

6 Ordering information

Table 6-1. Part ordering code for GD32F330xx devices

Ordering code	Flash (KB)	Package	Package type	Temperature operating range
GD32F330F4P6	16	TSSOP20	Green	Industrial -40°C to +85°C
GD32F330F6P6	32	TSSOP20	Green	Industrial -40°C to +85°C
GD32F330F8P6	64	TSSOP20	Green	Industrial -40°C to +85°C
GD32F330G4U6	16	QFN28	Green	Industrial -40°C to +85°C
GD32F330G6U6	32	QFN28	Green	Industrial -40°C to +85°C
GD32F330G8U6	64	QFN28	Green	Industrial -40°C to +85°C
GD32F330K4U6	16	QFN32	Green	Industrial -40°C to +85°C
GD32F330K6U6	32	QFN32	Green	Industrial -40°C to +85°C
GD32F330K8U6	64	QFN32	Green	Industrial -40°C to +85°C
GD32F330C4T6	16	LQFP48	Green	Industrial -40°C to +85°C
GD32F330C6T6	32	LQFP48	Green	Industrial -40°C to +85°C
GD32F330C8T6	64	LQFP48	Green	Industrial -40°C to +85°C
GD32F330CBT6	128	LQFP48	Green	Industrial -40°C to +85°C
GD32F330R8T6	64	LQFP64	Green	Industrial -40°C to +85°C
GD32F330RBT6	128	LQFP64	Green	Industrial -40°C to +85°C

Table 6-2. Part ordering code for GD32F330xx devices (Cont.)

Ordering code	Flash (KB)	Package	Package type	Temperature operating range
GD32F330F4P5	16	TSSOP20	Green	Commercial -20°C to +85°C
GD32F330F6P5	32	TSSOP20	Green	Commercial -20°C to +85°C
GD32F330F8P5	64	TSSOP20	Green	Commercial -20°C to +85°C
GD32F330G4U5	16	QFN28	Green	Commercial -20°C to +85°C
GD32F330G6U5	32	QFN28	Green	Commercial -20°C to +85°C
GD32F330G8U5	64	QFN28	Green	Commercial -20°C to +85°C
GD32F330K4U5	16	QFN32	Green	Commercial -20°C to +85°C
GD32F330K6U5	32	QFN32	Green	Commercial -20°C to +85°C
GD32F330K8U5	64	QFN32	Green	Commercial -20°C to +85°C
GD32F330C4T5	16	LQFP48	Green	Commercial -20°C to +85°C
GD32F330C6T5	32	LQFP48	Green	Commercial -20°C to +85°C
GD32F330C8T5	64	LQFP48	Green	Commercial -20°C to +85°C
GD32F330CBT5	128	LQFP48	Green	Commercial -20°C to +85°C
GD32F330R8T5	64	LQFP64	Green	Commercial -20°C to +85°C
GD32F330RBT5	128	LQFP64	Green	Commercial -20°C to +85°C

7 Revision history

Table 7-1. Revision history

Revision No.	Description	Date
1.0	Initial Release	Jun.6, 2017
1.1	Characteristics values updated in Table 4-7. Power consumption characteristics^{(1) (2) (3) (4) (5) (6)}	Jun.20, 2017
1.2	Characteristics values updated	Nov.20, 2017
1.3	Repair history accumulation error	Jan.24, 2018
1.4	Characteristics values updated	Jun.1, 2019

Important Notice

This document is the property of GigaDevice Semiconductor Inc. and its subsidiaries (the "Company"). This document, including any product of the Company described in this document (the "Product"), is owned by the Company under the intellectual property laws and treaties of the People's Republic of China and other jurisdictions worldwide. The Company reserves all rights under such laws and treaties and does not grant any license under its patents, copyrights, trademarks, or other intellectual property rights. The names and brands of third party referred thereto (if any) are the property of their respective owner and referred to for identification purposes only.

The Company makes no warranty of any kind, express or implied, with regard to this document or any Product, including, but not limited to, the implied warranties of merchantability and fitness for a particular purpose. The Company does not assume any liability arising out of the application or use of any Product described in this document. Any information provided in this document is provided only for reference purposes. It is the responsibility of the user of this document to properly design, program, and test the functionality and safety of any application made of this information and any resulting product. Except for customized products which has been expressly identified in the applicable agreement, the Products are designed, developed, and/or manufactured for ordinary business, industrial, personal, and/or household applications only. The Products are not designed, intended, or authorized for use as components in systems designed or intended for the operation of weapons, weapons systems, nuclear installations, atomic energy control instruments, combustion control instruments, airplane or spaceship instruments, transportation instruments, traffic signal instruments, life-support devices or systems, other medical devices or systems (including resuscitation equipment and surgical implants), pollution control or hazardous substances management, or other uses where the failure of the device or Product could cause personal injury, death, property or environmental damage ("Unintended Uses"). Customers shall take any and all actions to ensure using and selling the Products in accordance with the applicable laws and regulations. The Company is not liable, in whole or in part, and customers shall and hereby do release the Company as well as its suppliers and/or distributors from any claim, damage, or other liability arising from or related to all Unintended Uses of the Products. Customers shall indemnify and hold the Company as well as its suppliers and/or distributors harmless from and against all claims, costs, damages, and other liabilities, including claims for personal injury or death, arising from or related to any Unintended Uses of the Products.

Information in this document is provided solely in connection with the Products. The Company reserves the right to make changes, corrections, modifications or improvements to this document and Products and services described herein at any time, without notice.